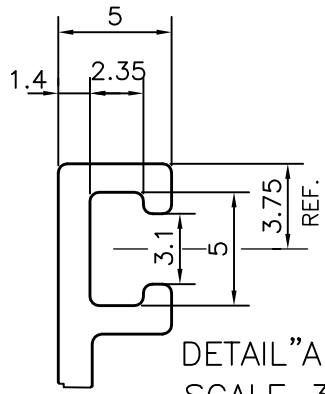


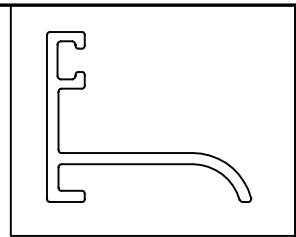
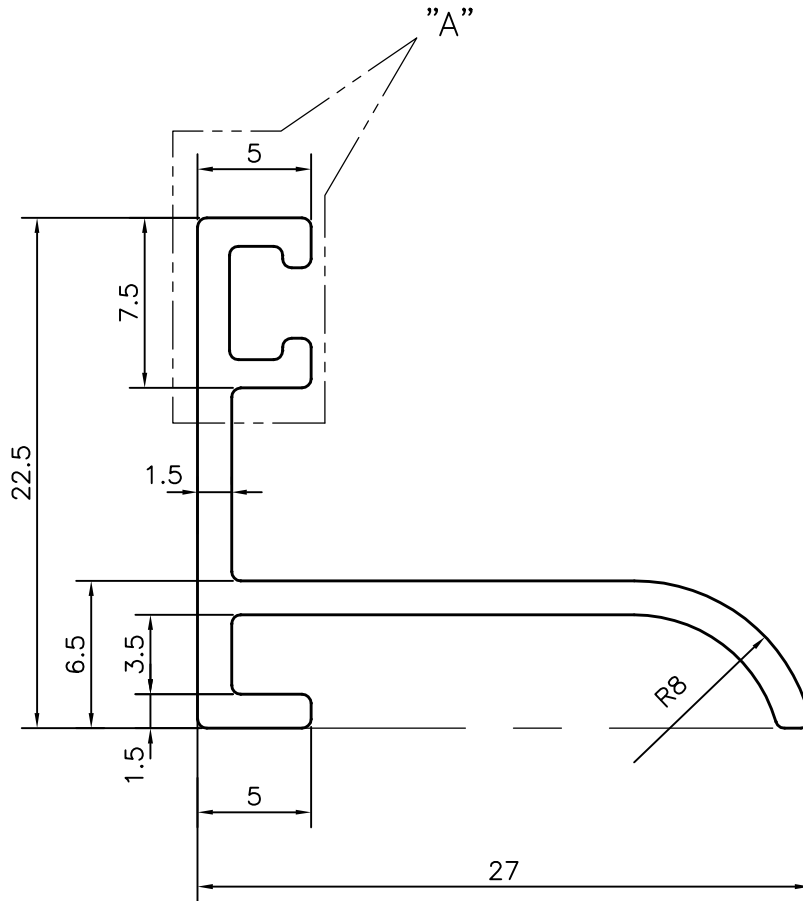
P-11706

S3342

19460



DETAIL "A"
SCALE 3:1



Q No:-71728



SYMBOL OF QUALITY
AN ISO 9001 COMPANY

JINDAL ALUMINIUM LTD.
BANGALORE-560073 (INDIA)

	NAME	DATE
DRAWN	J.P.KAUSHIK	25-04-2012
CHECKED		
APPROVED	S.S.GARG	06-06-2012
SCALE		3:1
AREA mm ²		90.908
PERIMETER mm.		124.806
WEIGHT kg/m		0.245
DRAWING No.	SECTION No.	
P-11706	-	
S3342	S3342	
19460	19460	

1. ALL DIMENSIONS ARE IN mm.
2. ROUND OFF ALL SHARP CORNERS WITH 0.40 mm.
3. TOLERANCES WILL BE AS PER,IS:3965-1981 UNLESS OTHERWISE SPECIFIED

PARTY'S NAME	SAHARA PRIME CITY LTD., GURGAON
PARTY'S DRAWING No.	D6*
ALLOY & TEMPER	HE9 WP
DESCRIPTION	WINDOW SECTION