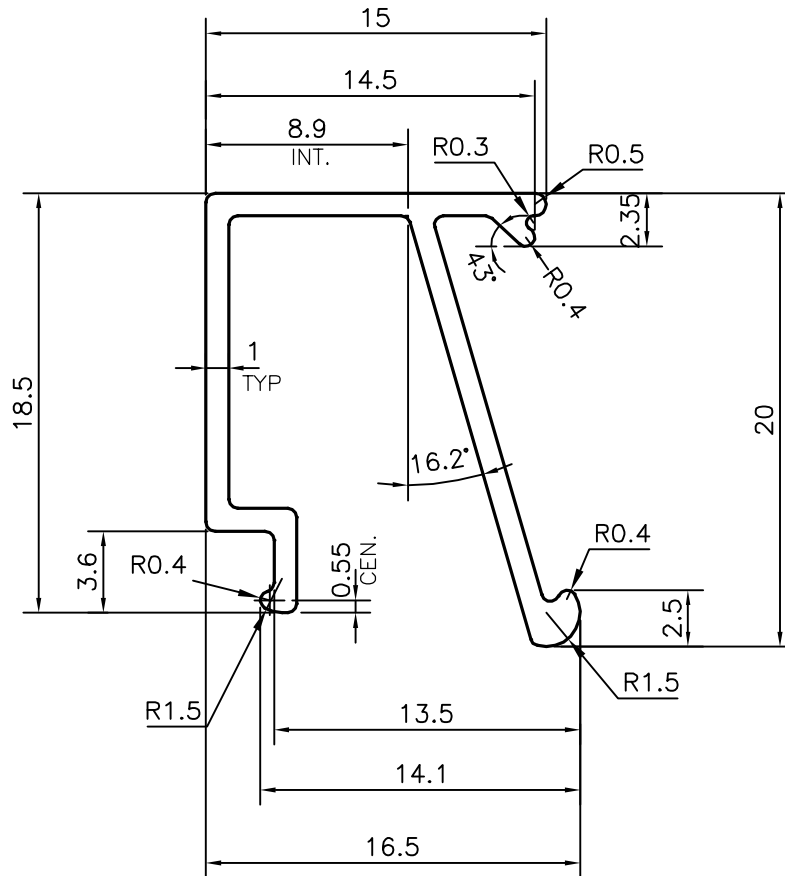
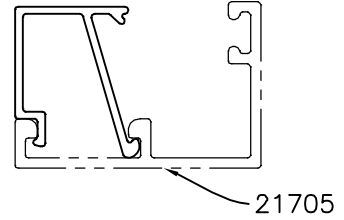
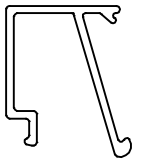
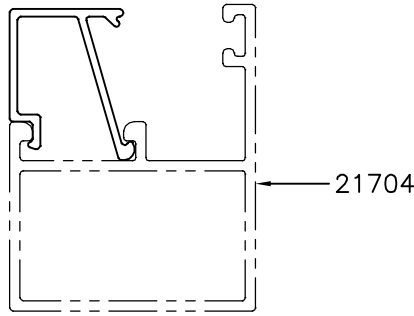


P-16075-1

19477



SYMBOL OF QUALITY
AN ISO 9001 COMPANY

JINDAL ALUMINIUM LTD.
BANGALORE-560073 (INDIA)

	NAME	DATE
DRAWN	J.P.KAUSHIK	11-07-2016
CHECKED		
APPROVED	S.S. GARG	13-07-2016

1. ALL DIMENSIONS ARE IN mm.
2. ROUND OFF ALL SHARP CORNERS WITH 0.40 mm.
3. TOLERANCES WILL BE AS PER IS:3965-1981 , UNLESS OTHERWISE SPECIFIED

SCALE	3:1
AREA mm ²	59.677
PERIMETER mm.	115.291
WEIGHT kg/m	0.161

PARTY'S NAME	GENERAL CATEGORY, DELHI MARKET	DRAWING No.	P-16075-1	SECTION No.	-
PARTY'S DRAWING No.	AS PER DRAWING		19477		19477
ALLOY & TEMPER	HE9 WP				
DESCRIPTION	GLAZING CLIP				