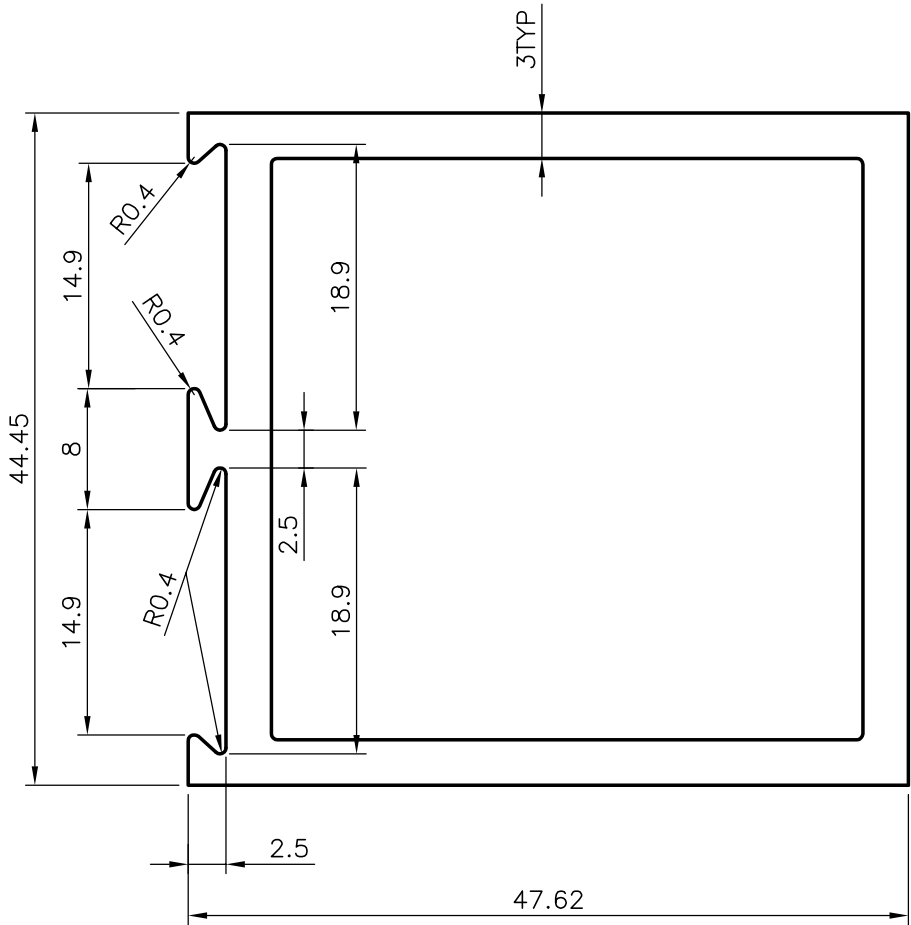
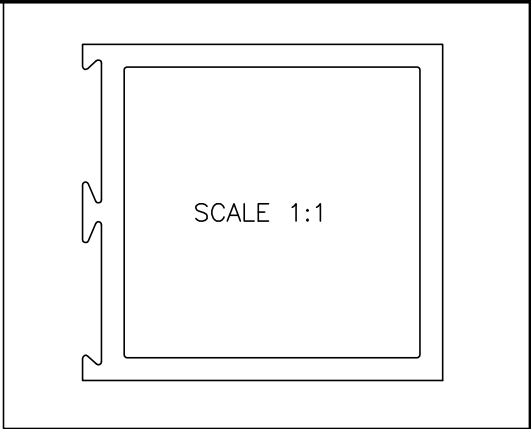



4531
10531
19512



GENERAL WALL THICKNESS = 3.00mm

 SYMBOL OF QUALITY AN ISO 9001 COMPANY	<b>JINDAL ALUMINIUM LTD.</b> BANGALORE-560073 (INDIA)	NAME		DATE
		DRAWN	RAGHAVENDRA	02-02-2005
		CHECKED		
APPROVED				
1. ALL DIMENSIONS ARE IN mm. 2. ROUND OFF ALL SHARP CORNERS WITH 0.40 mm. 3. TOLERANCES WILL BE AS PER IS:6477-1983 UNLESS OTHERWISE SPECIFIED		SCALE		2:1
		AREA mm <sup>2</sup>		528.182
		PERIMETER mm.		205.058
PARTY'S NAME		WEIGHT kg/m		1.426
PARTY'S DRAWING No.		DRAWING No.	SECTION No.	
ALLOY & TEMPER		4531	-	
DESCRIPTION		10531	10531	
		19512	19512	