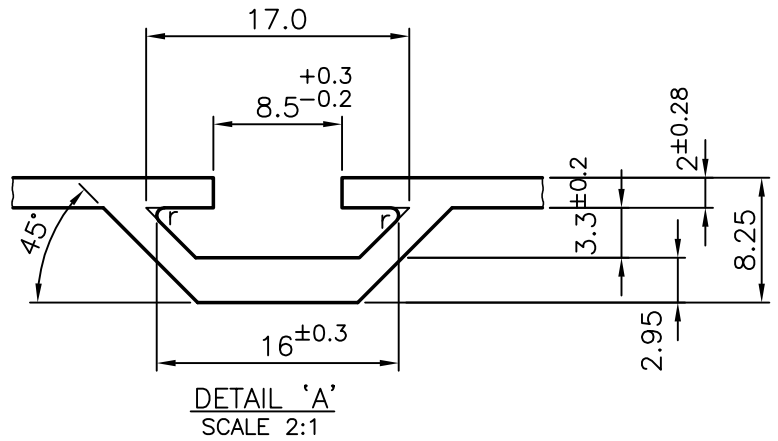
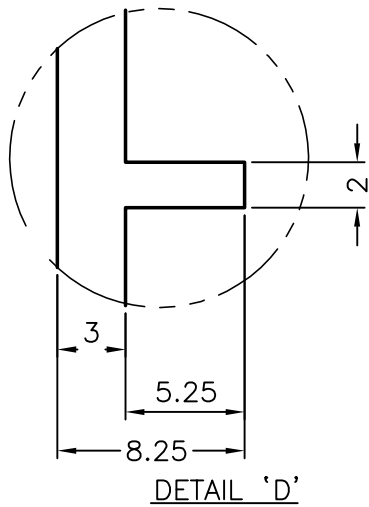
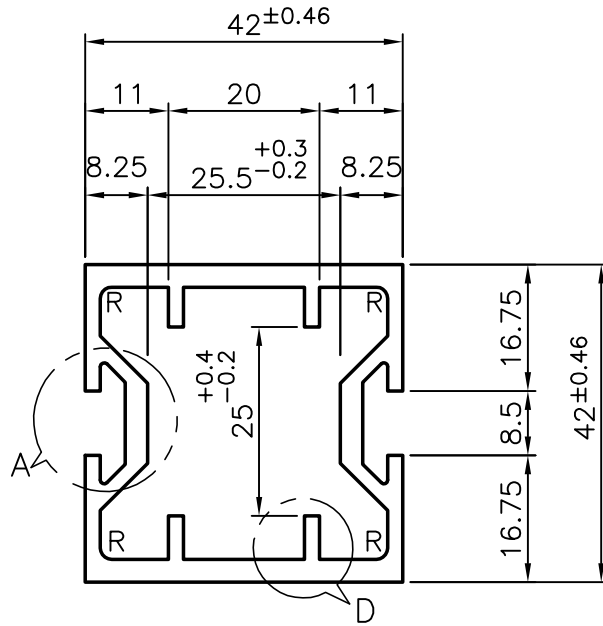


4534

10627

19514



r = 0.5mm
R = 1.5mm



SYMBOL OF QUALITY
AN ISO 9002 COMPANY

JINDAL ALUMINIUM LTD.
BANGALORE-560073 (INDIA)

	NAME	DATE
DRAWN	S.KUMAR	19-7-79
CHECKED		
APPROVED		
SCALE	1:1 & 3:1	
WEIGHT kg/m	1.415	
SECTION No.	19514	
DRAWING No.	19514	

1. ALL DIMENSIONS ARE IN mm
2. ROUND OFF SHARP CORNERS WITH 0.4mm R
3. TOLERANCES WILL BE AS PER IS : 6477-1983

PARTY'S NAME	ALUMILITE BOMBAY		
PARTY'S DRAWING No.	SEC.NO.115	FINISH	AS EXTRUDED
ALLOY & TEMPER	HE 9 WP	LENGTH:	3658mm
DESCRIPTION	DOOR SECTION		