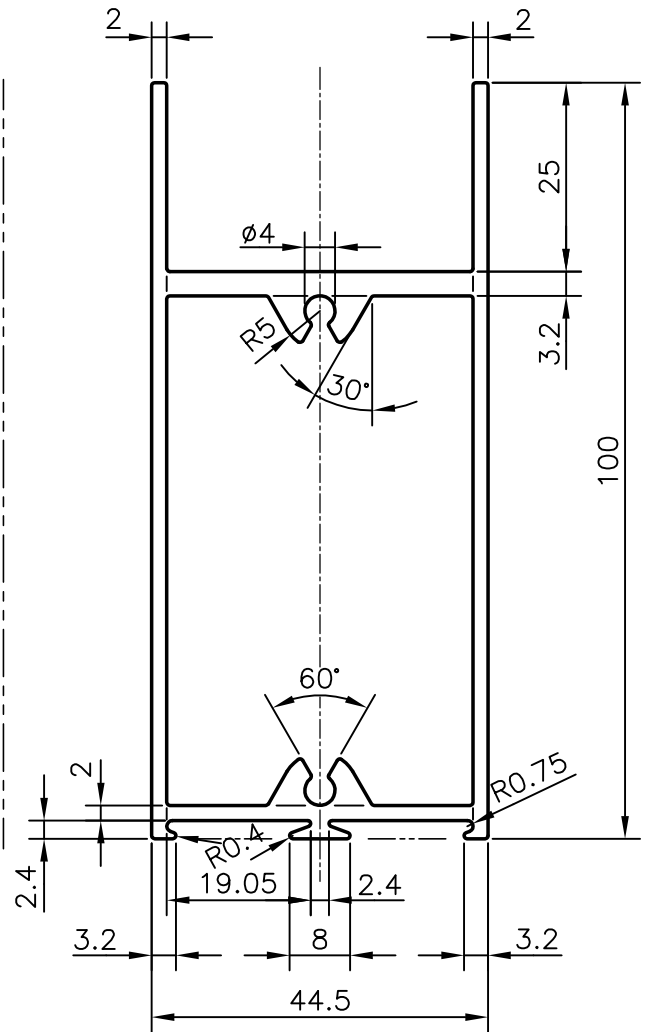



4541
10631
19519



----- GOOD SURFACE FINISH REQUIRED

PLEASE CONFIRM ALL THE DIMENSIONS AND MATCH WITH YOUR MATCHING COMPONENT

PLEASE SPECIFY THE EXPOSED SURFACE IN THE DRAWING WHEREVER BETTER FINISH REQUIRED.

 SYMBOL OF QUALITY AN ISO 9001 COMPANY	<b>JINDAL ALUMINIUM LTD.</b> BANGALORE-560073 (INDIA)	NAME	DATE
		DRAWN	PRASANN.H 21-12-2007
		CHECKED	
1. ALL DIMENSIONS ARE IN mm. 2. ROUND OFF ALL SHARP CORNERS WITH 0.40 mm. 3. TOLERANCES WILL BE AS PER IS:6477-1983 UNLESS OTHERWISE SPECIFIED		APPROVED	
PARTY'S NAME	GENERAL CATEGORY	SCALE	1:1
PARTY'S DRAWING No.	3005	AREA mm <sup>2</sup>	710.176
ALLOY & TEMPER	HE9 WP	PERIMETER mm.	358.42
DESCRIPTION	DOOR BOTTOM SECTION	WEIGHT kg/m	1.917
		DRAWING No.	SECTION No.
		4541	4541
		10631	10631
		19519	19519