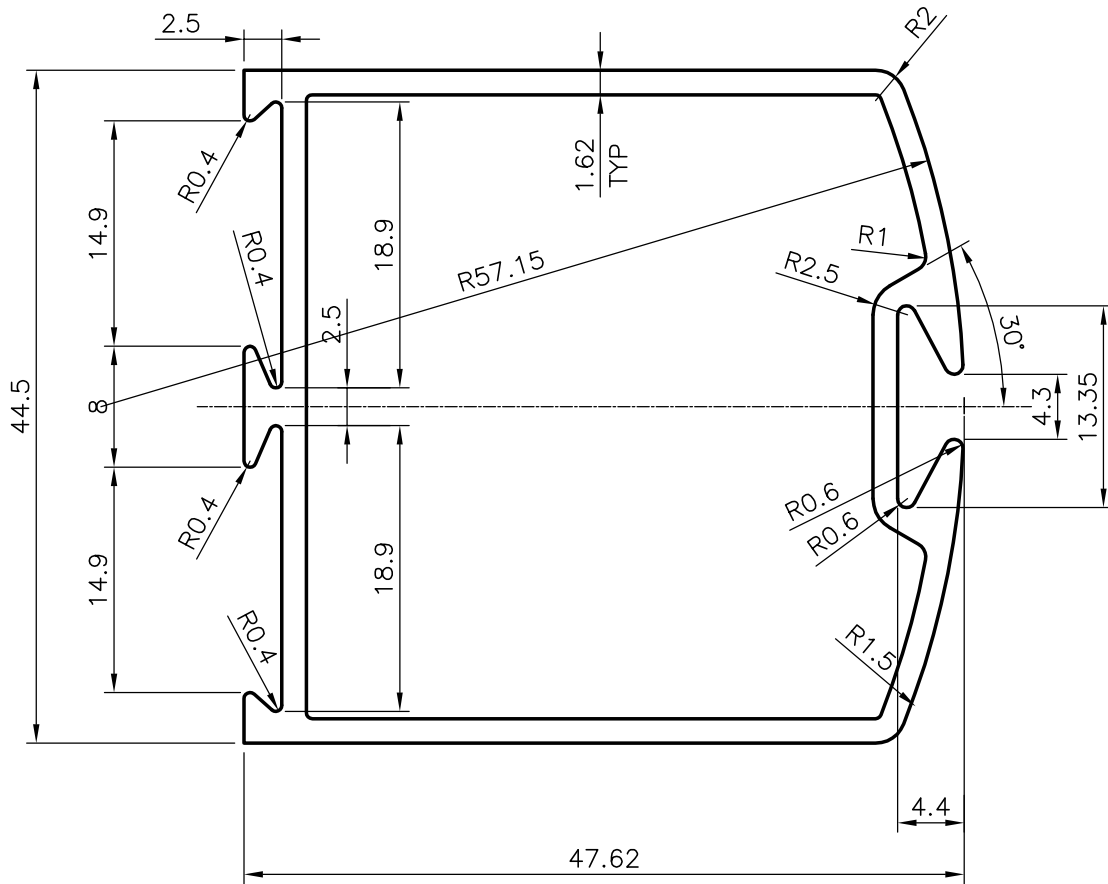
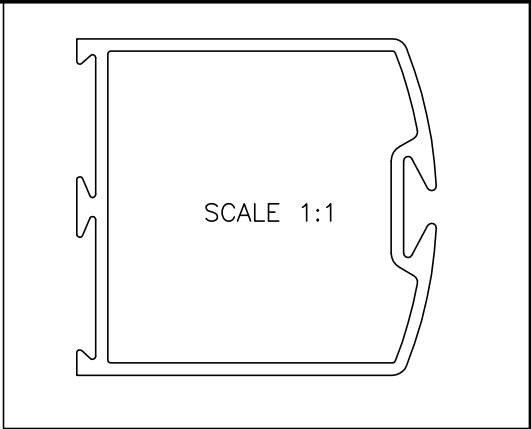



4550
10505
19526



GENERAL WALL THICKNESS = 1.62
 3658mm LONG PIECES IN 100 kgs = 31 (AVERAGE)

 SYMBOL OF QUALITY AN ISO 9002 COMPANY	JINDAL ALUMINIUM LTD. BANGALORE-560073 (INDIA)	NAME	DATE
		DRAWN	RAGHAVENDRA 22-12-2004
		CHECKED	
		APPROVED	
1. ALL DIMENSIONS ARE IN mm. 2. ROUND OFF ALL SHARP CORNERS WITH 0.40 mm. 3. TOLERANCES WILL BE AS PER IS:6477-1983 UNLESS OTHERWISE SPECIFIED		SCALE	2:1
		AREA mm ²	325.776
		PERIMETER mm.	218.535
PARTY'S NAME		WEIGHT kg/m	0.881
PARTY'S DRAWING No.		DRAWING No.	SECTION No.
ALLOY & TEMPER		4550	-
DESCRIPTION		10505	10505
		19526	19526
DOOR SECTION			