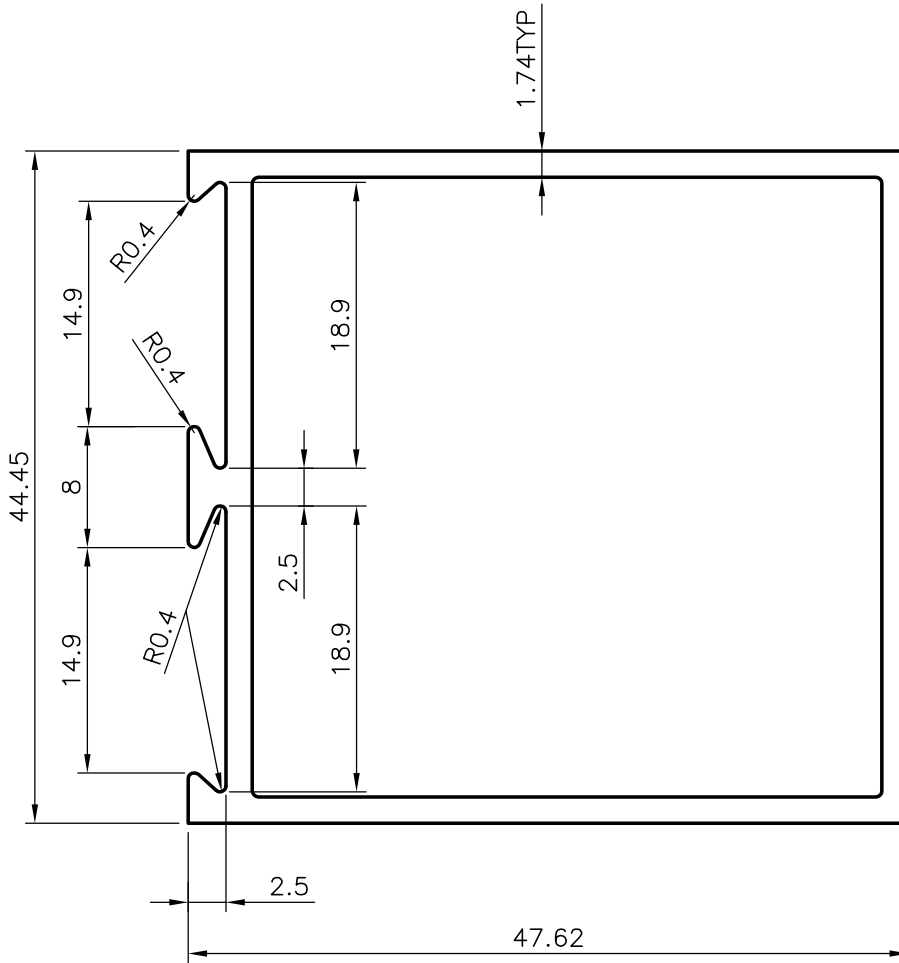
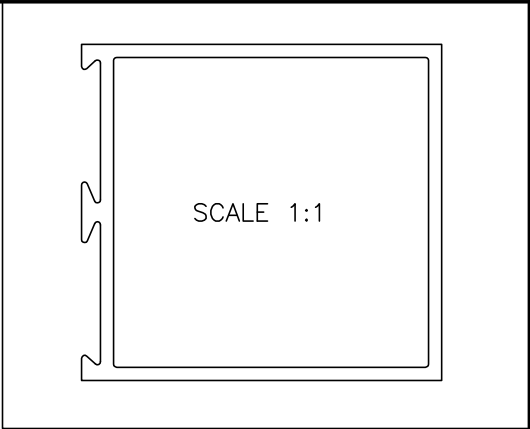



4551
10534
19527



GENERAL WALL THICKNESS = 1.74mm  
 3658 mm, LONG PIECES IN 100 Kgs = 31 (AVERAGE)

 SYMBOL OF QUALITY AN ISO 9001 COMPANY	<b>JINDAL ALUMINIUM LTD.</b> BANGALORE-560073 (INDIA)	NAME		DATE
		DRAWN	RAGHAVENDRA	02-02-2005
1. ALL DIMENSIONS ARE IN mm. 2. ROUND OFF ALL SHARP CORNERS WITH 0.40 mm. 3. TOLERANCES WILL BE AS PER IS:6477-1983 UNLESS OTHERWISE SPECIFIED		CHECKED		
		APPROVED		
PARTY'S NAME -		SCALE		2:1
		AREA mm <sup>2</sup>		326.356
PARTY'S DRAWING No. -		PERIMETER mm.		205.058
		WEIGHT kg/m		0.881
ALLOY & TEMPER HE9 WP		DRAWING No.		4551
		SECTION No.		-
DESCRIPTION DOOR SECTION		10534		10534
		19527		19527