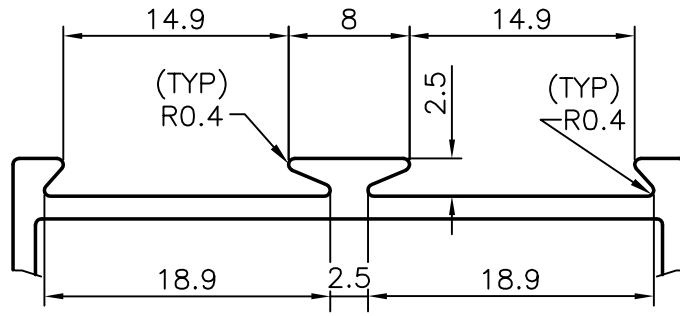
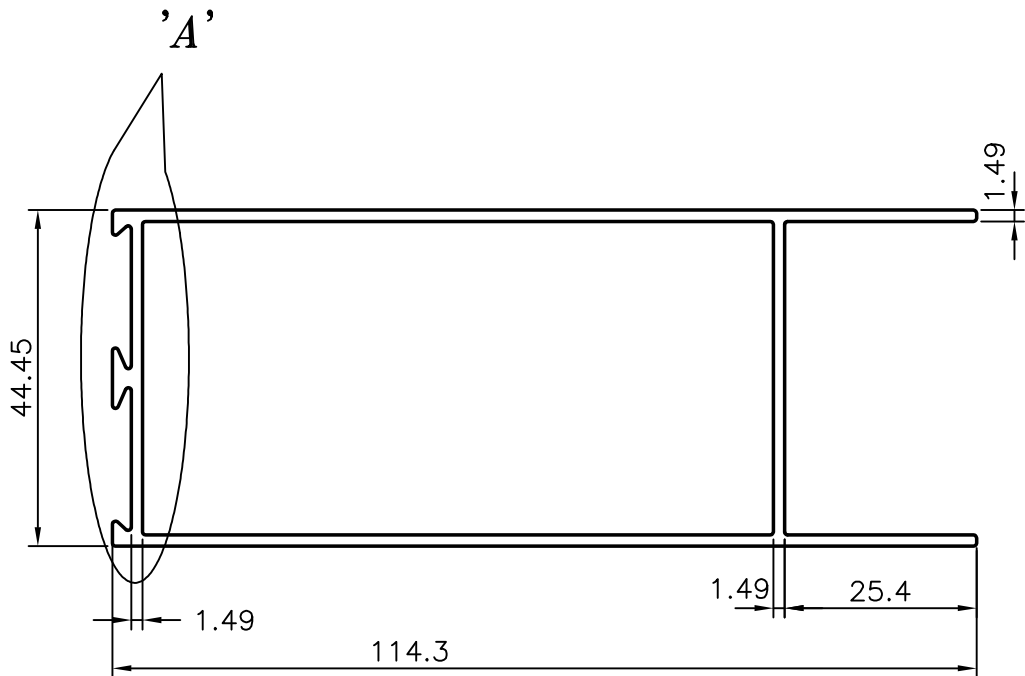



4554
10583
19530



DETAIL A

3658 mm. LONG PIECES IN 100 kgs :- 21 (AVERAGE)



 SYMBOL OF QUALITY AN ISO 9001 COMPANY	JINDAL ALUMINIUM LTD. BANGALORE-560073 (INDIA)	NAME MALINGAPPA	DATE 02-09-2004
		CHECKED	
		APPROVED	
1. ALL DIMENSIONS ARE IN mm. 2. ROUND OFF ALL SHARP CORNERS WITH 0.40 mm. 3. TOLERANCES WILL BE AS PER IS: 6477-1983 UNLESS OTHERWISE SPECIFIED		SCALE	1:1, 2:1
		AREA mm ²	483.3
		PERIMETER mm.	387.84
PARTY'S NAME	GENERAL CATEGORY	WEIGHT kg/m	1.302
PARTY'S DRAWING No.	NIL	DRAWING No.	SECTION No.
ALLOY & TEMPER	HE9 WP	4554	4554
DESCRIPTION	DOOR SECTION	10583	10583
		19530	19530