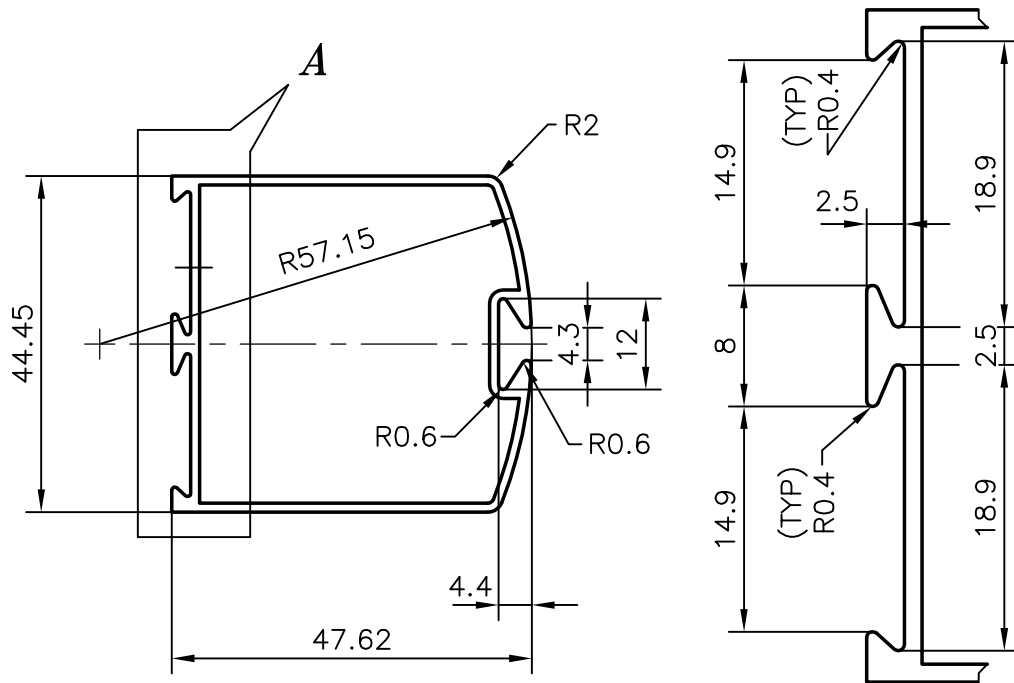


4573

10507

19538



A (2:1)

1. GENERAL WALL THICKNESS :- 1.18 mm.
2. 3658 mm. LONG PIECES IN 100 kgs :- 41 (AVERAGE)

JINDAL ALUMINIUM LTD.**BANGALORE-560073**

NAME

DATE

DRAWN

R.D.Sharma

16-07-97

CHECKED

APPROVED

1. ALL DIMENSIONS ARE IN mm.
2. ROUND OFF ALL SHARP CORNERS WITH 0.4 mm.
3. TOLERANCES WILL BE AS PER IS: 6477-1983 ,UNLESS OTHERWISE SPECIFIED

PARTY'S NAME

GENERAL CATEGORY

SCALE

1:1 & 2:1

PARTY'S DRAWING No.

-

WEIGHT kg/m

0.667

ALLOY & TEMPER

HE9 WP

SECTION No.

19538

LENGTH

3658 mm.

DRAWING No.

DESCRIPTION

DOOR SECTION

19538