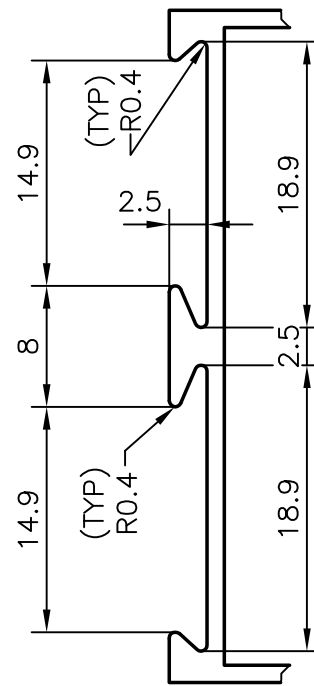
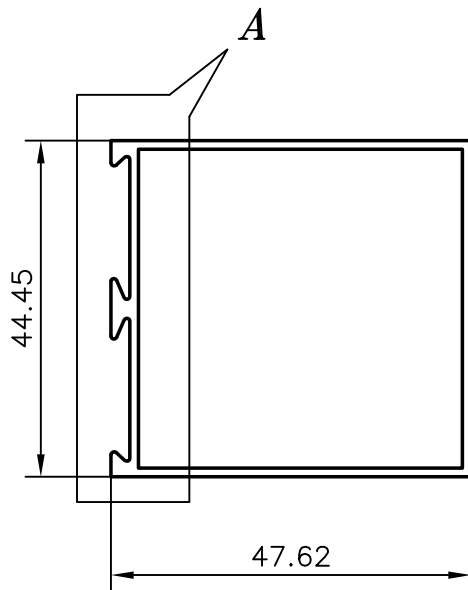


4577

10536

19542



A (2:1)

1. GENERAL WALL THICKNESS :- 1.14 mm.
2. 3658 mm. LONG PIECES IN 100 kgs :- 45 (AVERAGE)

JINDAL ALUMINIUM LTD.

BANGALORE-560073

		NAME	DATE
		DRAWN	R.D.Sharma
1. ALL DIMENSIONS ARE IN mm. 2. ROUND OFF ALL SHARP CORNERS WITH 0.4 mm. 3. TOLERANCES WILL BE AS PER IS: 6477-1983 ,UNLESS OTHERWISE SPECIFIED		CHECKED	
		APPROVED	
PARTY'S NAME	GENERAL CATEGORY	SCALE	1:1 & 2:1
PARTY'S DRAWING No.	NIL	WEIGHT kg/m	0.607
ALLOY & TEMPER	HE9 WP	SECTION No.	19542
LENGTH	3658 mm.	DRAWING No.	
DESCRIPTION	DOOR SECTION	19542	