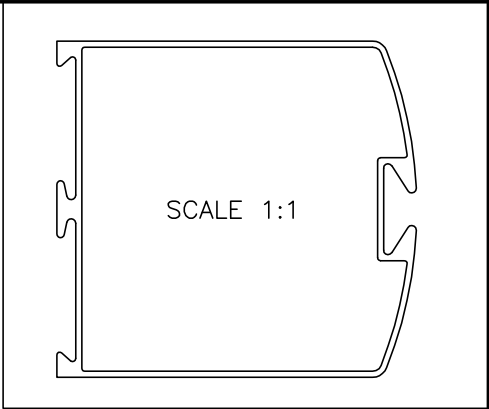
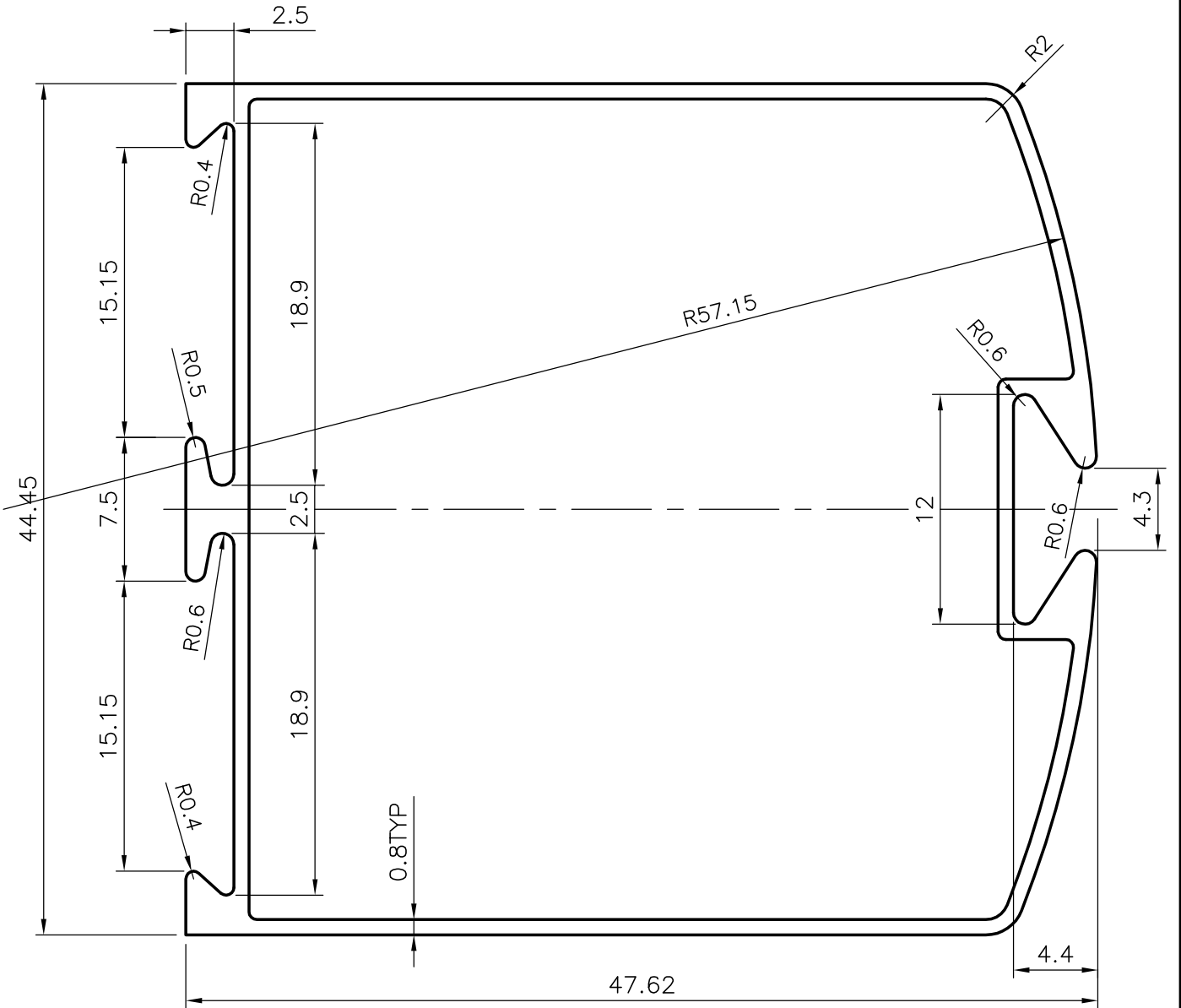



4578
10508
19543



GENERAL WALL THICKNESS = 0.80mm
 2134mm (7') LONG PIECES IN 100 kgs.:– 95 (AVERAGE)



 SYMBOL OF QUALITY AN ISO 9001 COMPANY	JINDAL ALUMINIUM LTD. BANGALORE-560073 (INDIA)	DRAWN	NAME	DATE
		CHECKED	RAGHAVENDRA	04-11-2004
1. ALL DIMENSIONS ARE IN mm. 2. ROUND OFF ALL SHARP CORNERS WITH 0.40 mm. 3. TOLERANCES WILL BE AS PER IS:6477-1983 UNLESS OTHERWISE SPECIFIED		APPROVED		
		SCALE		3:1
PARTY'S NAME GENERAL CATEGORY		AREA mm ²		182.406
		PERIMETER mm.		215.305
PARTY'S DRAWING No. NIL		WEIGHT kg/m		0.493
		DRAWING No.	SECTION No.	
ALLOY & TEMPER HE9 WP		4578		4578
		10508		10508
DESCRIPTION DOOR SECTION		19543		19543