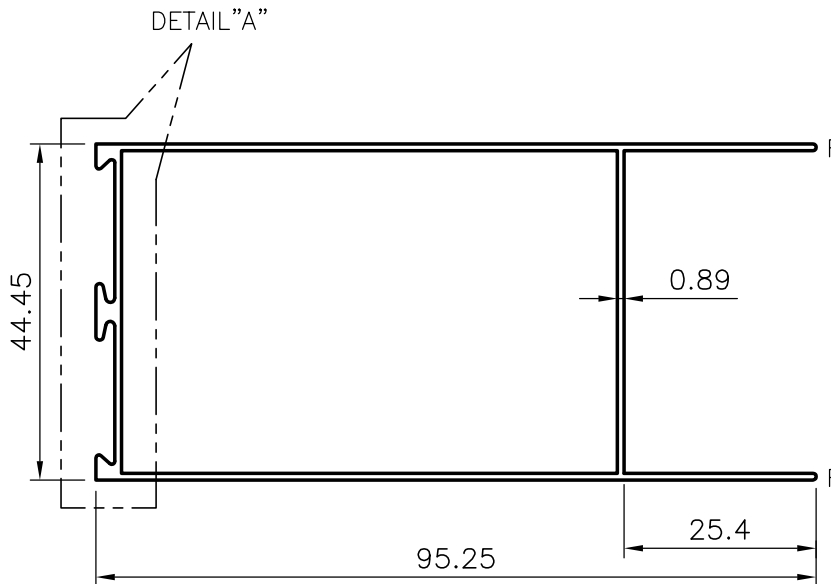
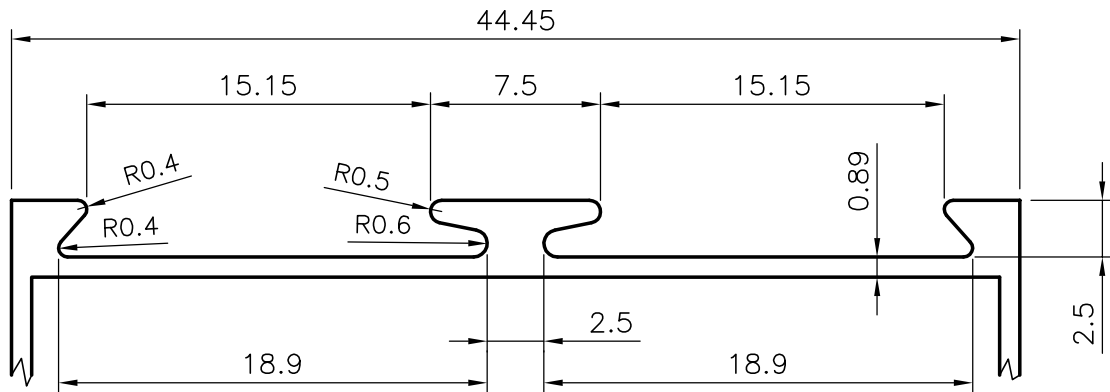


4579
10575
19544


DETAIL "A"
SCALE 3:1



GENERAL WALL THICKNESS = 0.89mm

F = FULL RADIUS (2 PLACES)

3658mm LONG PIECES IN 100 kgs = 38 (AVERAGE)

 SYMBOL OF QUALITY AN ISO 9002 COMPANY	JINDAL ALUMINIUM LTD. BANGALORE-560073 (INDIA)	DRAWN	NAME	DATE
		CHECKED	RAGHAVENDRA	21-04-2004
1. ALL DIMENSIONS ARE IN mm. 2. ROUND OFF ALL SHARP CORNERS WITH 0.40 mm. 3. TOLERANCES WILL BE AS PER IS:6477-1983 UNLESS OTHERWISE SPECIFIED		APPROVED		
		SCALE		1:1
PARTY'S NAME GENERAL CATEGORY		AREA mm ²		266.532
		PERIMETER mm.		349.8
PARTY'S DRAWING No. -		WEIGHT kg/m		0.719
		DRAWING No.	SECTION No.	
ALLOY & TEMPER HE9 WP		4579		4579-ISSUE-2
		10575		10575
DESCRIPTION DOOR SECTION		19544		19544