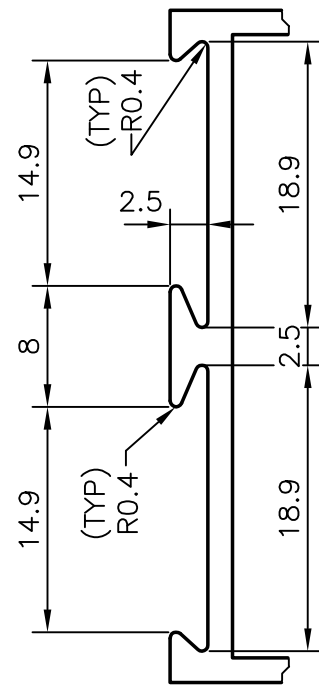
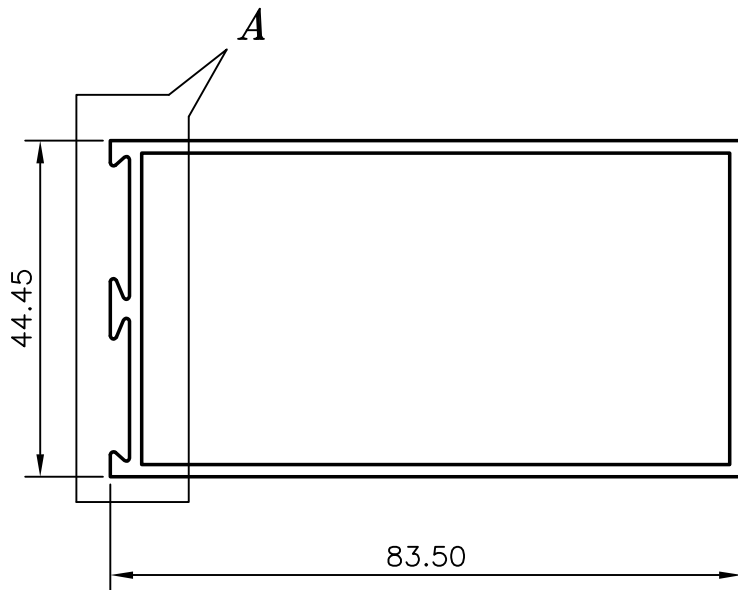


4589
10562
19549



A (2:1)

1. GENERAL WALL THICKNESS :- 1.62 mm.
2. NO. OF PIECES IN 100 kgs :- 24 (AVERAGE)

JINDAL ALUMINIUM LTD.
BANGALORE-560073

	NAME	DATE
DRAWN	R.D.Sharma	18-03-98
CHECKED		
APPROVED		
SCALE	1:1 & 2:1	
WEIGHT kg/m	1.139	
SECTION No.	19549	
DRAWING No.	19549	

1. ALL DIMENSIONS ARE IN mm.
2. ROUND OFF ALL SHARP CORNERS WITH 0.4 mm.
3. TOLERANCES WILL BE AS PER IS: 6477-1983 ,UNLESS OTHERWISE SPECIFIED

PARTY'S NAME	GENERAL CATEGORY
PARTY'S DRAWING No.	NIL
ALLOY & TEMPER	HE9 WP
LENGTH	3658 mm.
DESCRIPTION	DOOR SECTION