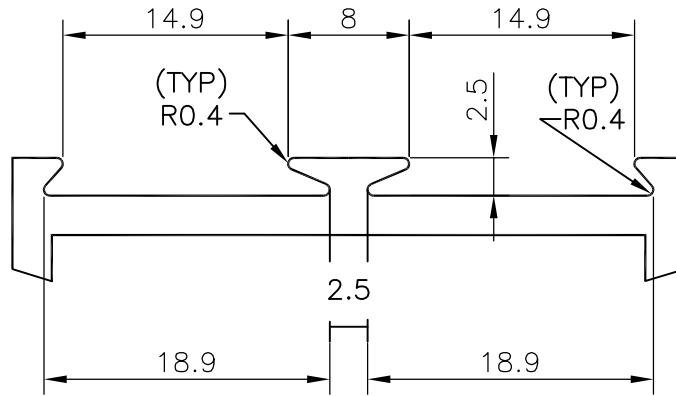
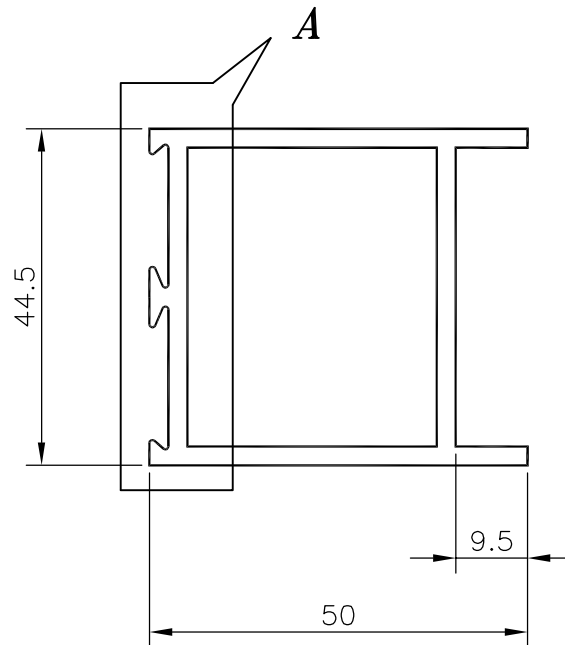


4596

10541

19555

**DETAILS - A (2:1)**

GENERAL WALL THICKNESS :- 2.5 mm.

**JINDAL ALUMINIUM LTD.****BANGALORE-560073**

NAME

DATE

DRAWN

D.SRIVASTAVA

15.5.98

CHECKED

APPROVED

1. ALL DIMENSIONS ARE IN mm.  
 2. ROUND OFF ALL SHARP CORNERS WITH 0.4 mm.  
 3. TOLERANCES WILL BE AS PER IS: 6477-1983 ,UNLESS OTHERWISE SPECIFIED

PARTY'S NAME

GENERAL CATEGORY (CHENNAI MARKET)

SCALE

1:1 &amp; 2:1

PARTY'S DRAWING No.

NIL

WEIGHT kg/m

1.247

ALLOY &amp; TEMPER

HE9 WP

SECTION No.

19555

LENGTH

3658mm

DRAWING No.

DESCRIPTION

DOOR SECTION

19555