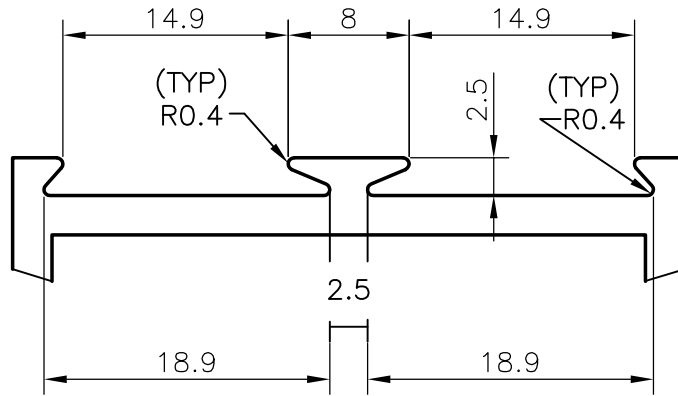
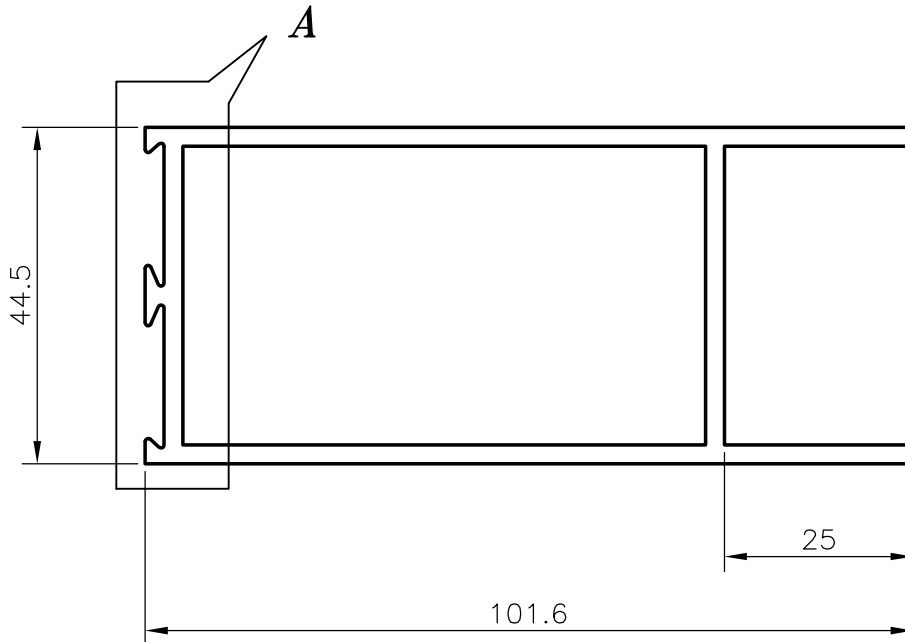


4597
10571
19556



DETAILS - A (2:1)



GENERAL WALL THICKNESS :- 2.5 mm.

JINDAL ALUMINIUM LTD. BANGALORE-560073			NAME	DATE
		DRAWN	D.SRIVASTAVA	15.5.98
1. ALL DIMENSIONS ARE IN mm. 2. ROUND OFF ALL SHARP CORNERS WITH 0.4 mm. 3. TOLERANCES WILL BE AS PER IS: 6477-1983 ,UNLESS OTHERWISE SPECIFIED		CHECKED		
		APPROVED		
		SCALE	1:1 & 2:1	
PARTY'S NAME	GENERAL CATEGORY (CHENNAI MARKET)	WEIGHT kg/m	1.943	
PARTY'S DRAWING No.	NIL	SECTION No.	19556	
ALLOY & TEMPER	HE9 WP	DRAWING No.	19556	
LENGTH	3658mm			
DESCRIPTION	DOOR SECTION			