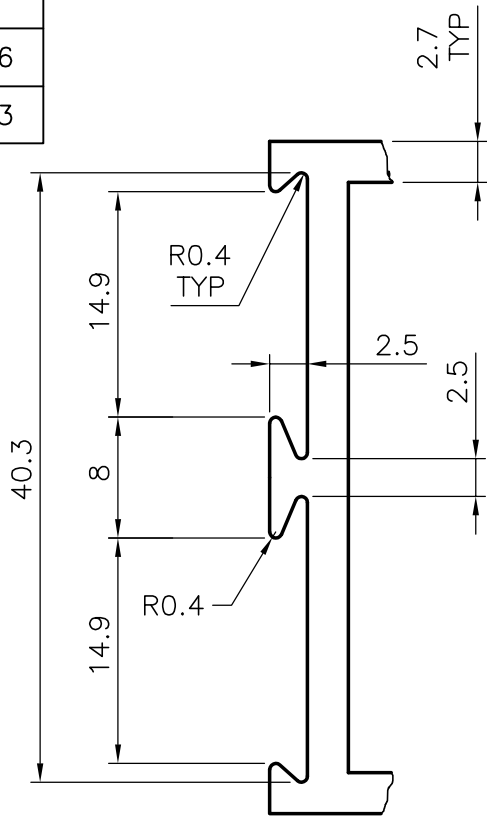
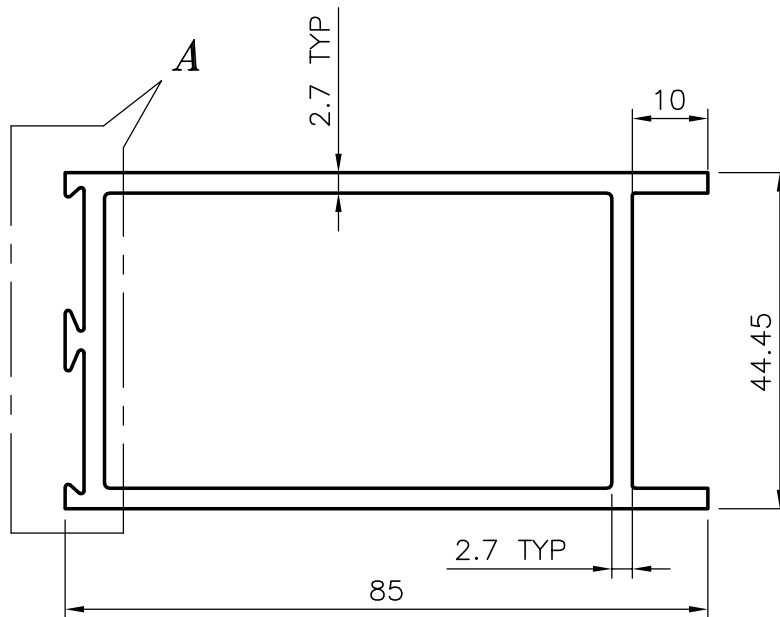



2919  
10616  
19563



SCALE 2:1  
DETAIL A



 SYMBOL OF QUALITY AN ISO 9002 COMPANY	<b>JINDAL ALUMINIUM LTD.</b> BANGALORE-560073 (INDIA)		NAME	DATE
		DRAWN	RANGASWAMY	18-04-01
1. ALL DIMENSIONS ARE IN mm. 2. ROUND OFF ALL SHARP CORNERS WITH 0.40 mm. 3. TOLERANCES WILL BE AS PER IS 6477-1983 UNLESS OTHERWISE SPECIFIED		CHECKED		
		APPROVED		
		SCALE	2:1 & 1:1	
PARTY'S NAME	GENERAL CATEGORY ., BOMBAY MARKET	WEIGHT kg/m	1.843	
PARTY'S DRAWING No.	AS PER SAMPLE	SECTION No.	19563	
ALLOY & TEMPER	HE9 WP	DRAWING No. 19563		
DESCRIPTION	-			