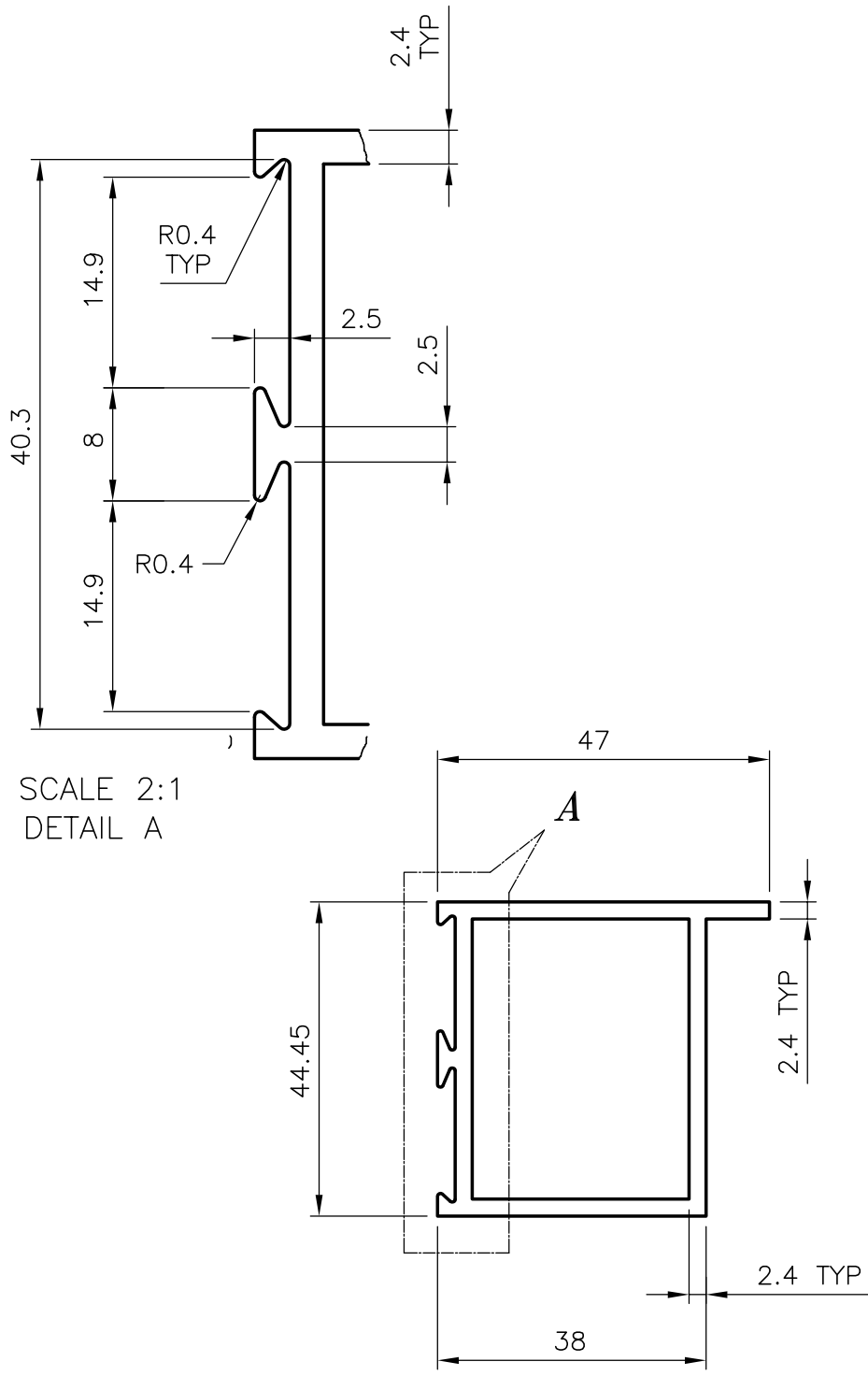



2927
10620
19566



SCALE 2:1  
DETAIL A

 SYMBOL OF QUALITY AN ISO 9002 COMPANY	<b>JINDAL ALUMINIUM LTD.</b> BANGALORE-560073 (INDIA)	NAME	DATE
		DRAWN	RANGASWAMY 25-02-01
		CHECKED	
1. ALL DIMENSIONS ARE IN mm. 2. ROUND OFF ALL SHARP CORNERS WITH 0.40 mm. 3. TOLERANCES WILL BE AS PER IS:6477-1983 UNLESS OTHERWISE SPECIFIED		APPROVED	
		SCALE	2:1 & 1:1
PARTY'S NAME	GENERAL CATEGORY (MUMBAI MARKET)	WEIGHT kg/m	1.102
PARTY'S DRAWING No.	AS PER SKETCH	SECTION No.	19566
ALLOY & TEMPER	HE9 WP	DRAWING No.	
DESCRIPTION	ARCHITECTURAL SECTION	19566	