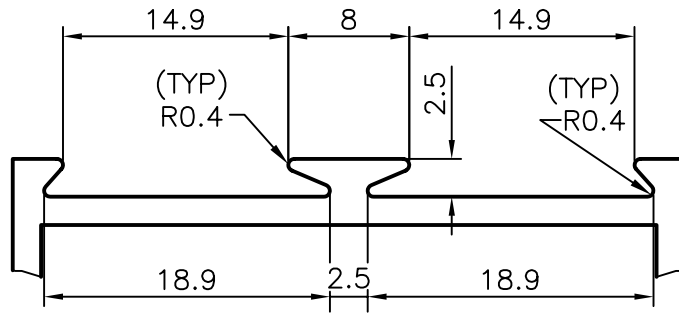
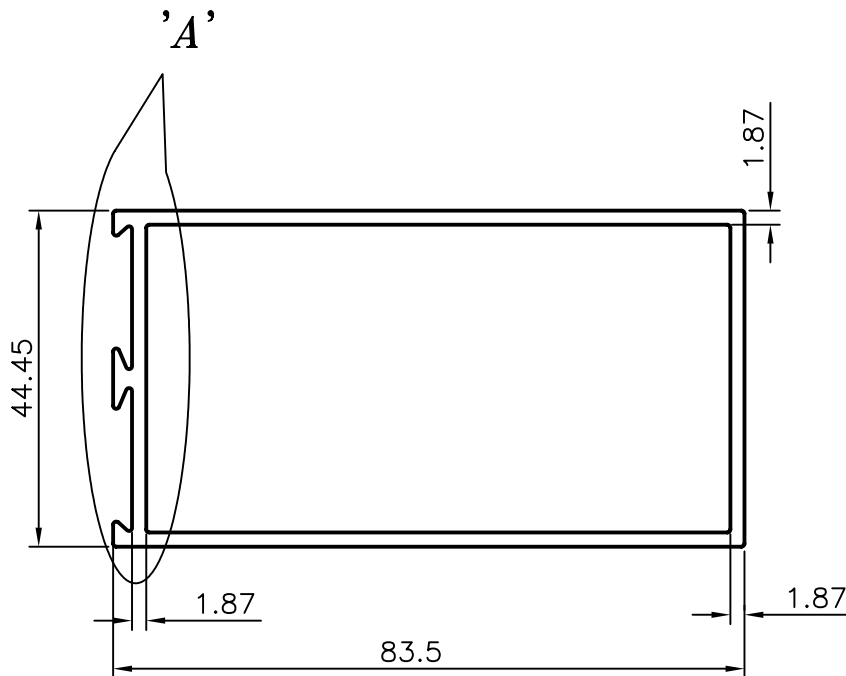



10563
19582



DETAIL A



 SYMBOL OF QUALITY AN ISO 9001 COMPANY	JINDAL ALUMINIUM LTD. BANGALORE-560073 (INDIA)	NAME MALINGAPPA	DATE 03-11-2003
		CHECKED	
		APPROVED	
1. ALL DIMENSIONS ARE IN mm. 2. ROUND OFF ALL SHARP CORNERS WITH 0.40 mm. 3. TOLERANCES WILL BE AS PER IS: 6477-1983 UNLESS OTHERWISE SPECIFIED		SCALE 1:1, 2:1	
		AREA mm ² 481.8	
		PERIMETER mm. 276.1	
PARTY'S NAME -		WEIGHT kg/m 1.300	
PARTY'S DRAWING No. LIGHTER OF SECTION NO. 19508		DRAWING No. 10563	SECTION No. 10563
ALLOY & TEMPER HE9 WP		19582	19582
DESCRIPTION DOOR SECTION			