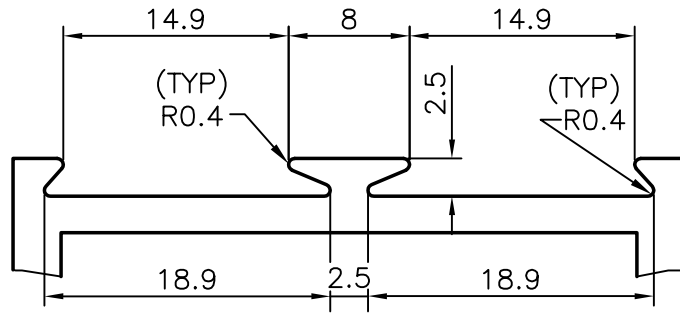
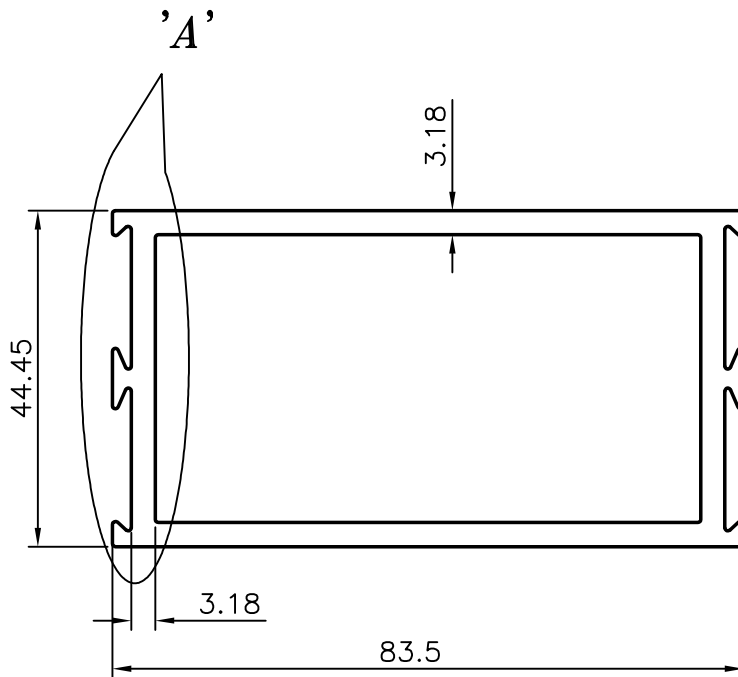



10569
19583



DETAIL A



 SYMBOL OF QUALITY AN ISO 9001 COMPANY	JINDAL ALUMINIUM LTD. BANGALORE-560073 (INDIA)	NAME		DATE
		DRAWN	MALINGAPPA	03-11-2003
1. ALL DIMENSIONS ARE IN mm. 2. ROUND OFF ALL SHARP CORNERS WITH 0.40 mm. 3. TOLERANCES WILL BE AS PER IS: 6477-1983 UNLESS OTHERWISE SPECIFIED		CHECKED		
		APPROVED		
PARTY'S NAME		SCALE		1:1, 2:1
		AREA mm ²		794.8
PARTY'S DRAWING No.		PERIMETER mm.		297
		WEIGHT kg/m		2.145
ALLOY & TEMPER		DRAWING No.		10569
		SECTION No.		10569
DESCRIPTION		19583		19583
DOOR SECTION				