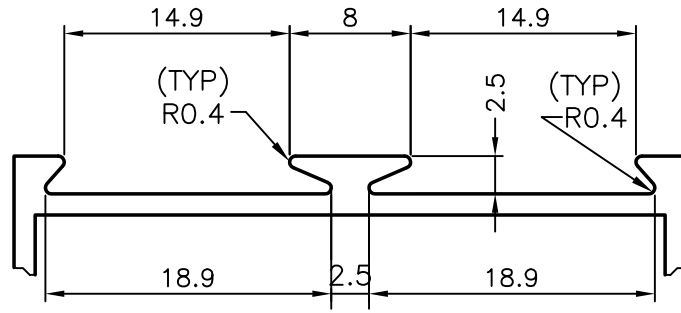
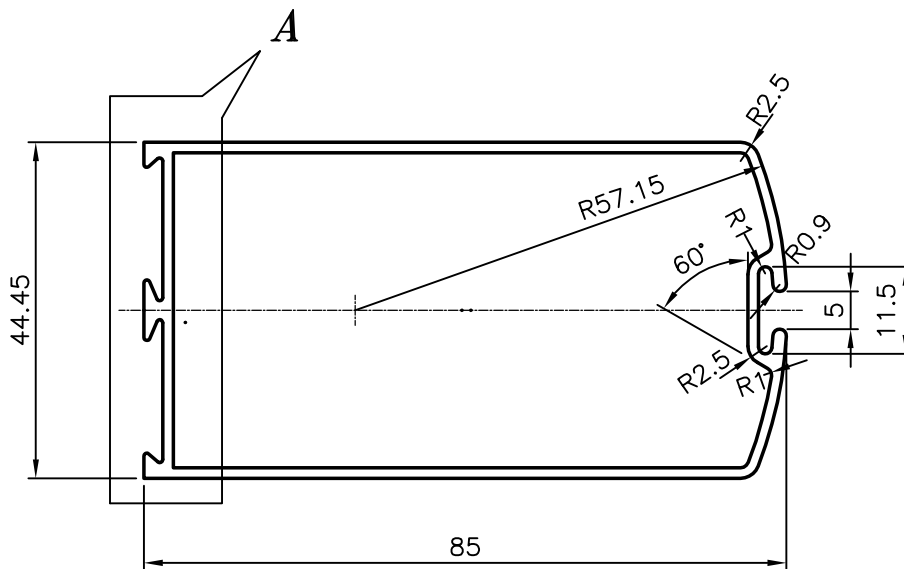


P-6349

19600



A (2:1)



1. GENERAL WALL THICKNESS :- 1.40 mm.



SYMBOL OF QUALITY
AN ISO 9001 COMPANY

JINDAL ALUMINIUM LTD.
BANGALORE-560073 (INDIA)

	NAME	DATE
DRAWN	J.P.KAUSHIK	22-04-2006
CHECKED		
APPROVED		
SCALE		1:1
AREA mm ²		383.889
PERIMETER mm.		288.516
WEIGHT kg/m		1.037
DRAWING No.	SECTION No.	
P-6349	-	
19600	19600	

1. ALL DIMENSIONS ARE IN mm.
2. ROUND OFF ALL SHARP CORNERS WITH 0.4 mm.
3. TOLERANCES WILL BE AS PER IS:6477-1983 UNLESS OTHERWISE SPECIFIED

PARTY'S NAME	GENERAL CATEGORY, DELHI MARKET
PARTY'S DRAWING No.	LIGHTER OF SECTION NO 19550
ALLOY & TEMPER	HE9 WP
DESCRIPTION	DOOR SECTION