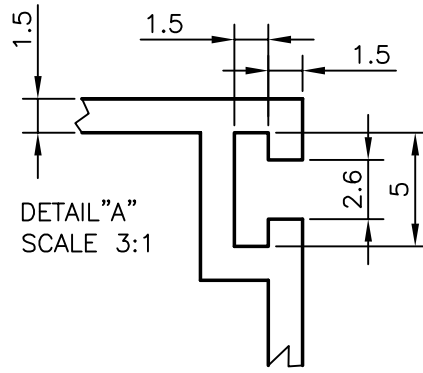
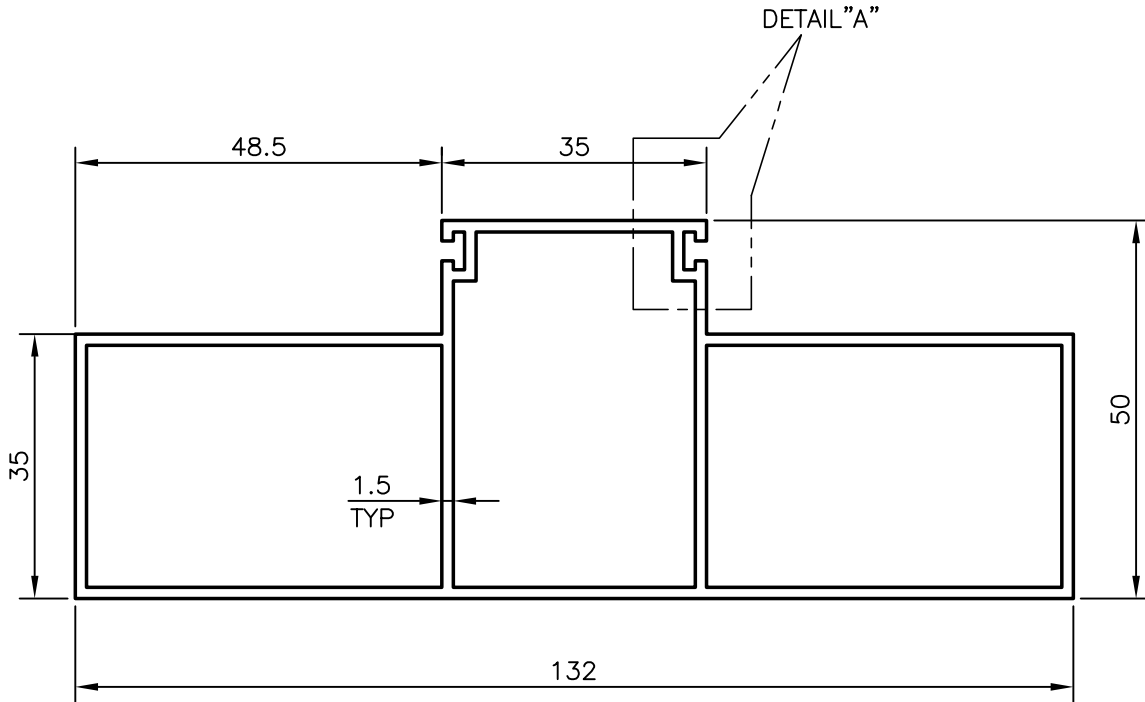


P-8836

19610



GENERAL WALL THICKNESS = 1.50mm



SYMBOL OF QUALITY
AN ISO 9001 COMPANY

JINDAL ALUMINIUM LTD.
BANGALORE-560073 (INDIA)

	NAME	DATE
DRAWN	RAGHAVENDRA	21-11-2008
CHECKED		
APPROVED		

1. ALL DIMENSIONS ARE IN mm.
2. ROUND OFF ALL SHARP CORNERS WITH 0.40 mm.
3. TOLERANCES WILL BE AS PER IS:6477-1983 UNLESS OTHERWISE SPECIFIED

SCALE	1:1
AREA mm ²	649.2
PERIMETER mm.	385.6
WEIGHT kg/m	1.753

PARTY'S NAME	GENERAL CATEGORY, DELHI MARKET (RSSB)
PARTY'S DRAWING No.	AS PER DRAWING BM-20-007 (NEW)
ALLOY & TEMPER	HE9 WP
DESCRIPTION	DOOR FRAME DOUBLE REBATE

DRAWING No.	SECTION No.
P-8836	-
19610	19610