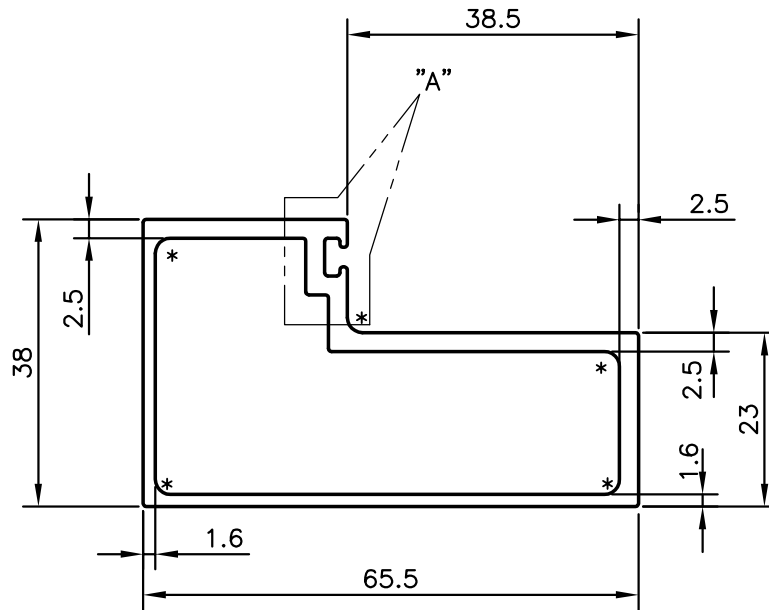
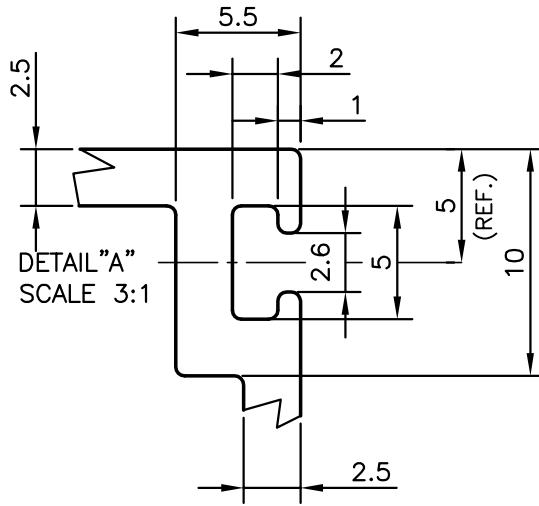


P-11643

19619



\* = RADIUS 2 ( 5 PLACES )



SYMBOL OF QUALITY  
AN ISO 9001 COMPANY

**JINDAL ALUMINIUM LTD.**  
BANGALORE-560073 (INDIA)

	NAME	DATE
DRAWN	J.P.KAUSHIK	06-04-2012
CHECKED		
APPROVED	S.S.GARG	09-06-2012
SCALE		1:1
AREA mm <sup>2</sup>		416.16
PERIMETER mm.		214.71
WEIGHT kg/m		1.124
DRAWING No.	SECTION No.	
P-11643	-	
19619	19619	

1. ALL DIMENSIONS ARE IN mm.
2. ROUND OFF ALL SHARP CORNERS WITH 0.40 mm.
3. TOLERANCES WILL BE AS PER IS:6477-1983 UNLESS OTHERWISE SPECIFIED

PARTY'S NAME	GENERAL CATEGORY, DELHI MARKET
PARTY'S DRAWING No.	BM-20-183
ALLOY & TEMPER	HE9 WP
DESCRIPTION	DOOR FRAME SINGLE REBATE