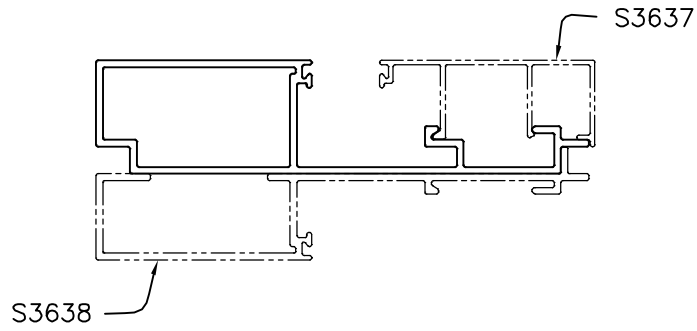


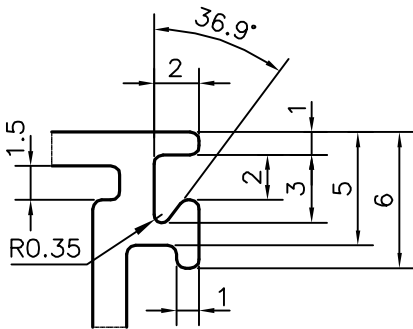
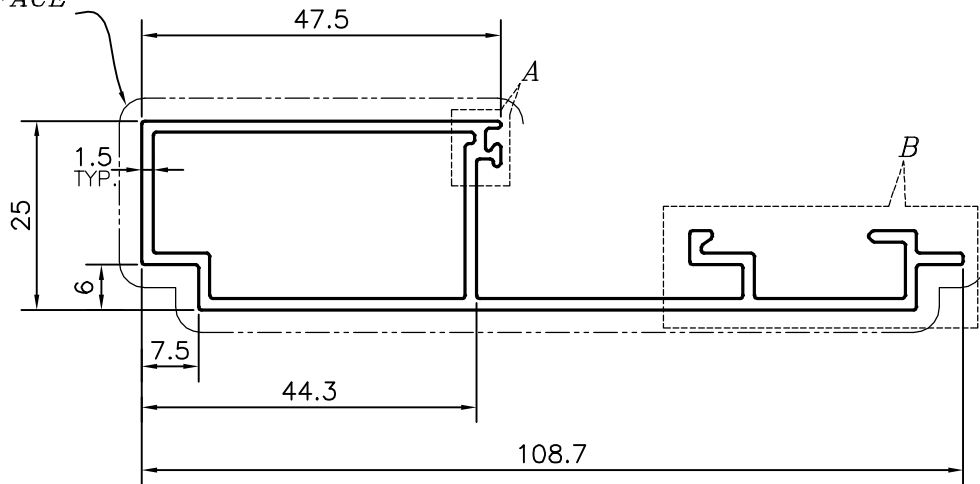
P-12490

X1655

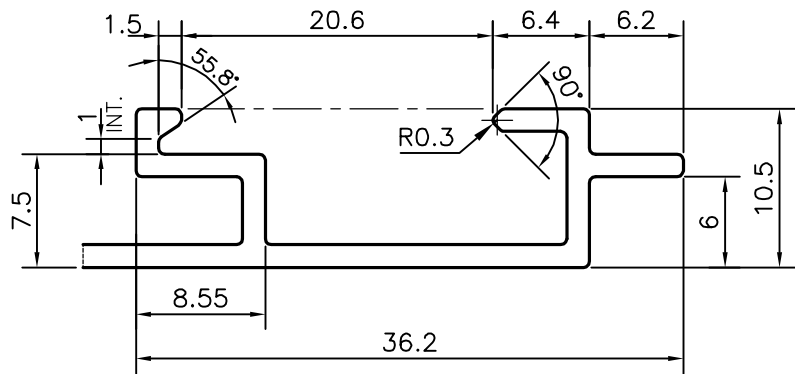
19643



EXPOSED SURFACE



DETAIL OF "A"
SCALE 3:1



DETAIL OF "B"
SCALE 2:1



SYMBOL OF QUALITY
AN ISO 9001 COMPANY

JINDAL ALUMINIUM LTD.
BANGALORE-560073 (INDIA)

	NAME	DATE
DRAWN	PARVESH	31-01-2013
CHECKED		
APPROVED	S.S.GARG	07-02-2013

1. ALL DIMENSIONS ARE IN mm.
2. ROUND OFF ALL SHARP CORNERS WITH 0.40 mm.
3. TOLERANCES WILL BE AS PER IS:6477-1983 , UNLESS OTHERWISE SPECIFIED

SCALE	1:1
AREA mm ²	352.617
PERIMETER mm.	337.449
WEIGHT kg/m	0.952

PARTY'S NAME	SOUNDARYA DECORATORS PVT. LTD., CHENNAI
PARTY'S DRAWING No.	AS PER Auto CAD DRAWING- 110-V1
ALLOY & TEMPER	HE9 WP
DESCRIPTION	DOOR PARTITION SECTION-FRAME

DRAWING No.	SECTION No.
P-12490	-
X1655	X1655
19643	19643