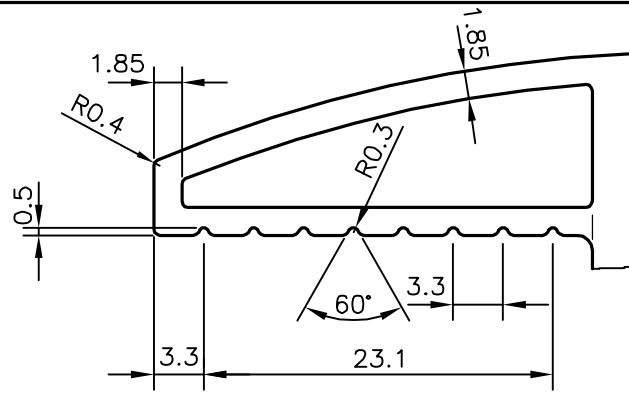
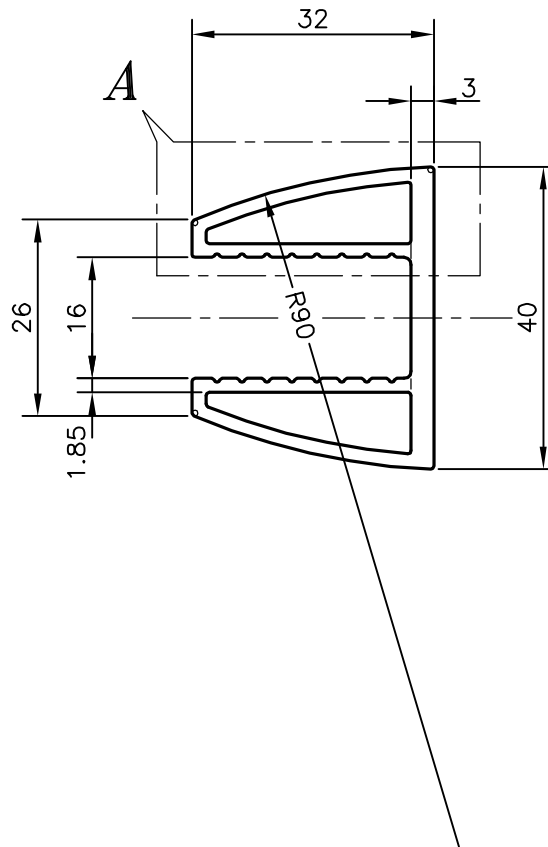


P-14830

19646



DETAIL AT "A"
(SCALE 2:1)



SYMBOL OF QUALITY
AN ISO 9002 COMPANY

JINDAL ALUMINIUM LTD.
BANGALORE-560073 (INDIA)

	NAME	DATE
DRAWN	J.P.KAUSHIK	01-07-2015
CHECKED		
APPROVED	S.S.GARG	09-07-2015
SCALE		1:1
AREA mm ²		338.399
PERIMETER mm.		194.837
WEIGHT kg/m		0.914
DRAWING No.	SECTION No.	
P-14830	-	
19646	19646	

1. ALL DIMENSIONS ARE IN mm.
2. ROUND OFF ALL SHARP CORNERS WITH 0.40 mm.
3. TOLERANCES WILL BE AS PER IS:6477-1983 UNLESS OTHERWISE SPECIFIED

PARTY'S NAME	GENERAL CATEGORY, COCHIN MARKET
PARTY'S DRAWING No.	AS PER SAMPLE
ALLOY & TEMPER	HE9 WP
DESCRIPTION	DOOR SECTION