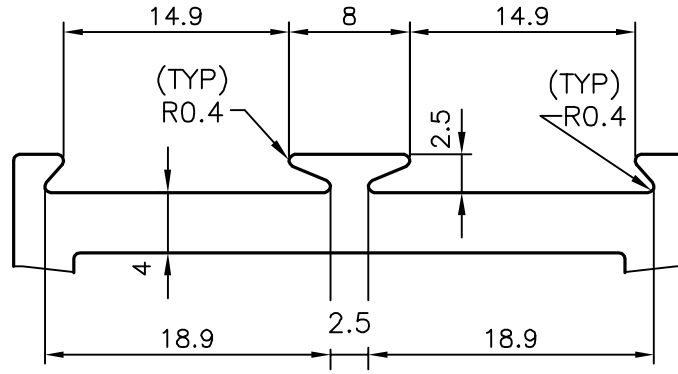


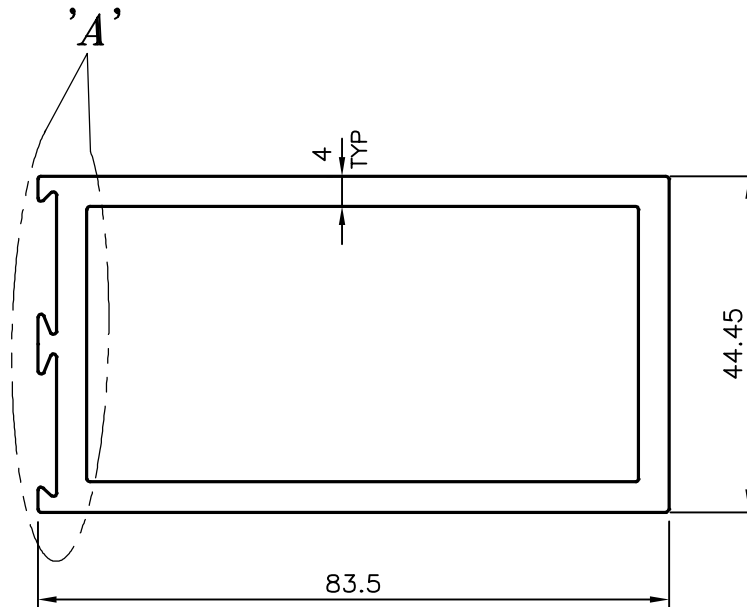
P-14881

19647



***DETAIL A***

SCALE:- 2:1



SYMBOL OF QUALITY  
AN ISO 9001 COMPANY

***JINDAL ALUMINIUM LTD.***  
***BANGALORE-560073 (INDIA)***

	NAME	DATE
DRAWN	J.P.KAUSHIK	13-07-2015
CHECKED		
APPROVED	B.NATARAJA	16-07-2015

1. ALL DIMENSIONS ARE IN mm.
2. ROUND OFF ALL SHARP CORNERS WITH 0.40 mm.
3. TOLERANCES WILL BE AS PER IS:6477-1983 UNLESS OTHERWISE SPECIFIED

SCALE	1:1
AREA mm <sup>2</sup>	966.225
PERIMETER mm.	276.131
WEIGHT kg/m	2.609

PARTY'S NAME	GENERAL CATEGORY, DELHI MARKET
PARTY'S DRAWING No.	HEAVIER OF SECTION No:-19508
ALLOY & TEMPER	HE9 WP
DESCRIPTION	DOOR SECTION

DRAWING No.	SECTION No.
P-14881	-
19647	19647