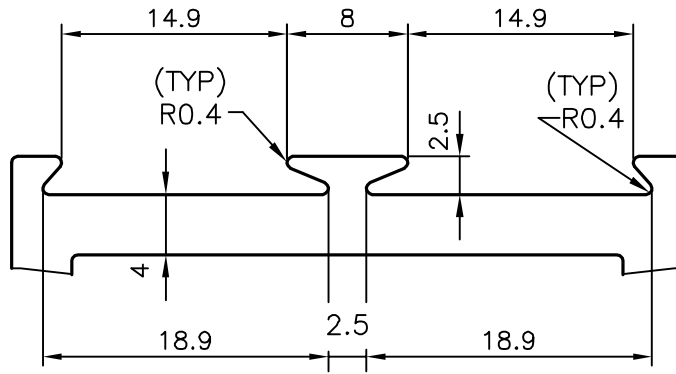


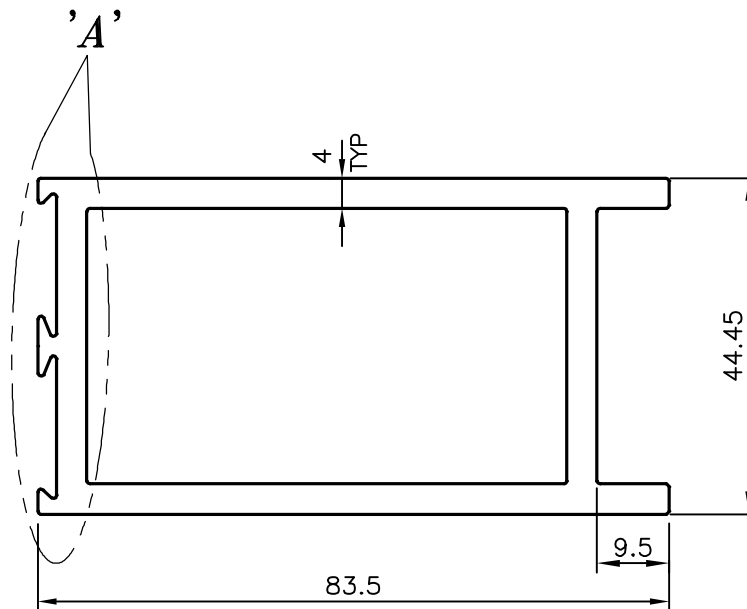
P-14882

19648



DETAIL A

SCALE:- 2:1



SYMBOL OF QUALITY
AN ISO 9001 COMPANY

JINDAL ALUMINIUM LTD.
BANGALORE-560073 (INDIA)

	NAME	DATE
DRAWN	J.P.KAUSHIK	13-07-2015
CHECKED		
APPROVED	B.NATARAJA	16-07-2015

1. ALL DIMENSIONS ARE IN mm.
2. ROUND OFF ALL SHARP CORNERS WITH 0.40 mm.
3. TOLERANCES WILL BE AS PER IS:6477-1983 UNLESS OTHERWISE SPECIFIED

SCALE	1:1
AREA mm ²	966.225
PERIMETER mm.	294.444
WEIGHT kg/m	2.609

PARTY'S NAME	GENERAL CATEGORY, DELHI MARKET	DRAWING No.	P-14882	SECTION No.	-
PARTY'S DRAWING No.	HEAVIER OF SECTION No:-19593		19648		19648
ALLOY & TEMPER	HE9 WP				
DESCRIPTION	DOOR SECTION				