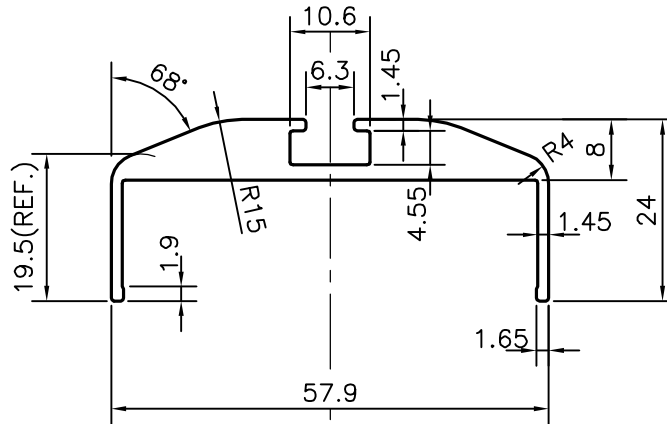


P-12978


S3851

19649



## TOLERANCES ON OVERALL WIDTHS &amp; WIDTHS ACROSS FLATS OF BARS, &amp; REGULAR SECTIONS

UPTO 6.40mm - $\pm 0.20$	UPTO 32.0mm - $\pm 0.38$	UPTO 120.0mm - $\pm 0.85$	UPTO 320.00mm - $\pm 1.70$
UPTO 10.0mm - $\pm 0.23$	UPTO 50.0mm - $\pm 0.46$	UPTO 160.0mm - $\pm 1.02$	
UPTO 12.0mm - $\pm 0.25$	UPTO 60.0mm - $\pm 0.53$	UPTO 200.0mm - $\pm 1.14$	
UPTO 16.0mm - $\pm 0.28$	UPTO 80.0mm - $\pm 0.69$	UPTO 250.0mm - $\pm 1.40$	
UPTO 25.0mm - $\pm 0.30$	UPTO 100.0mm - $\pm 0.75$	UPTO 300.0mm - $\pm 1.65$	

 SYMBOL OF QUALITY AN ISO 9001 COMPANY	<b>JINDAL ALUMINIUM LTD.</b> <b>BANGALORE-560073 (INDIA)</b>	DRAWN	J.P.KAUSHIK	DATE	21-08-2013
		CHECKED			
1. ALL DIMENSIONS ARE IN mm. 2. ROUND OFF ALL SHARP CORNERS WITH 0.40 mm. 3. TOLERANCES WILL BE AS PER IS:3965-1981 UNLESS OTHERWISE SPECIFIED		APPROVED	S.S.GARG		06-09-2013
		SCALE			1:1
PARTY'S NAME		TIMBMET DOOR SOLUTIONS PVT.LTD.,NEW DELHI		AREA mm <sup>2</sup>	365.895
				PERIMETER mm.	203.752
PARTY'S DRAWING No.		AS PER SAMPLE		WEIGHT kg/m	0.988
				DRAWING No.	SECTION No.
ALLOY & TEMPER		63400 WP		P-12978	-
				S3851	S3851
DESCRIPTION		MISC. SECTION		19649	19649