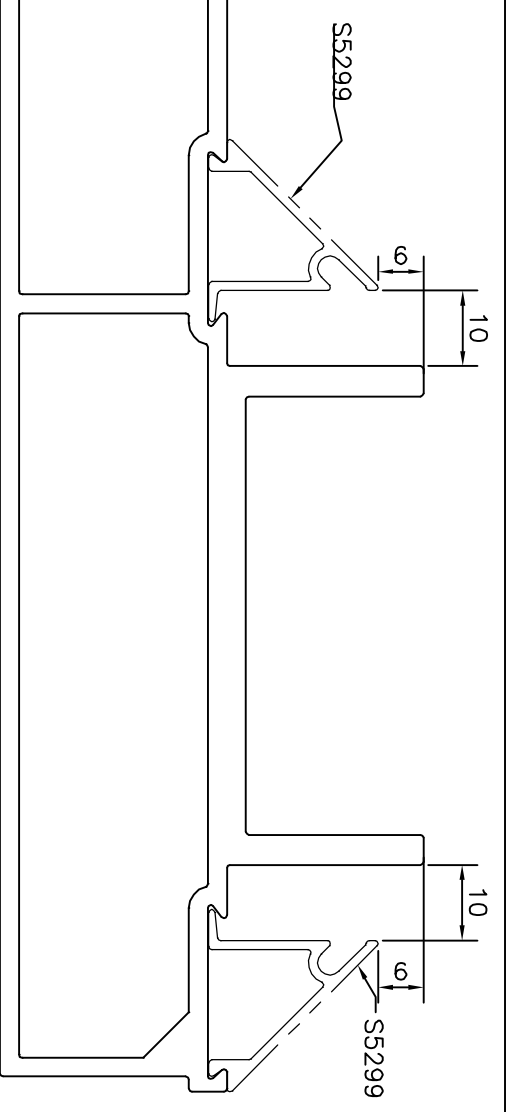
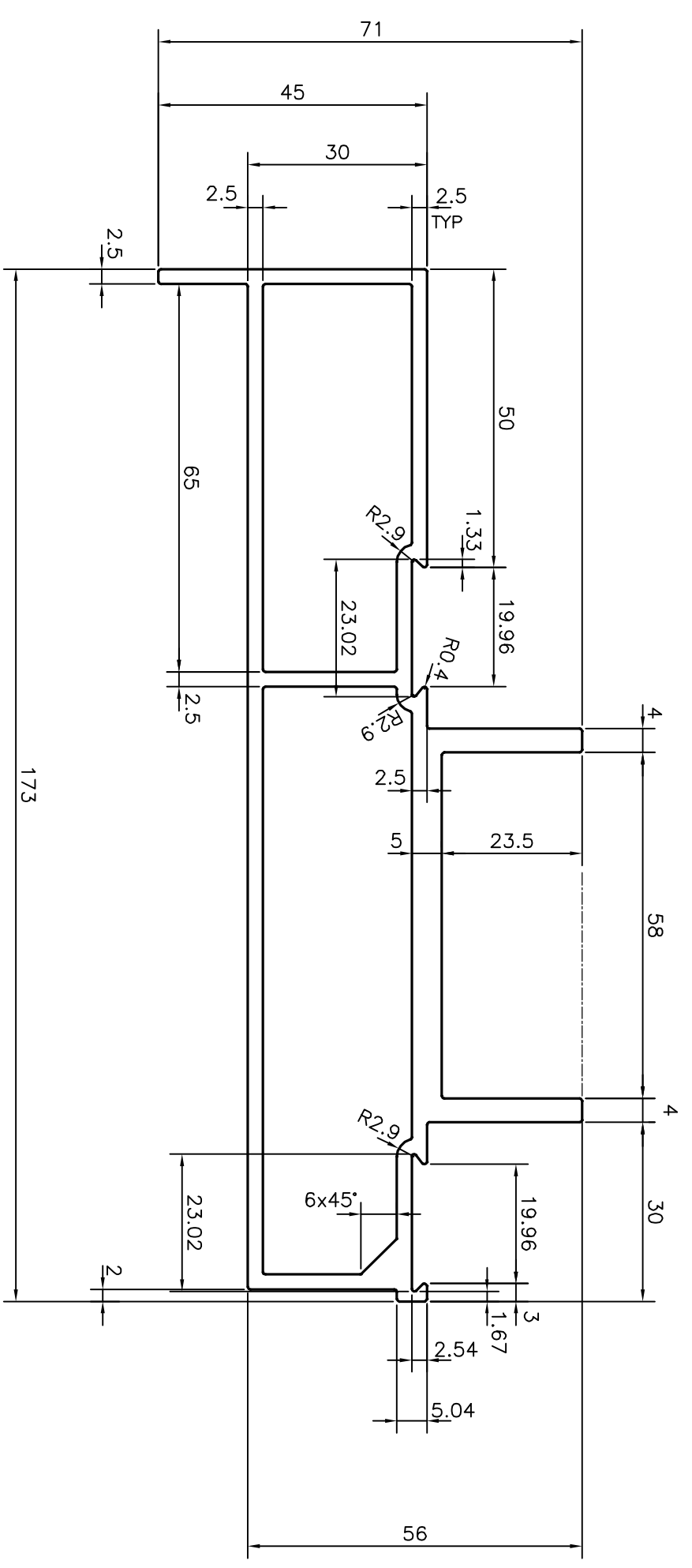



P-17128  
 S5402  
 19666



 <p><b>JINDAL ALUMINIUM LTD.</b>          BANGALORE-560073 (INDIA)</p>		SYMBOL OF QUALITY AN ISO 9001 COMPANY
1. ALL DIMENSIONS ARE IN mm. 2. ROUND OFF ALL SHARP CORNERS WITH 0.40 mm. 3. TOLERANCES WILL BE AS PER IS:6477-1983 UNLESS OTHERWISE SPECIFIED		
PARTY'S NAME	VARUN GROUP, VISHAKHAPATTANAM	
PARTY'S DRAWING No.	AS PER DRAWING	
ALLOY & TEMPER	6063 T6	
DESCRIPTION	DOOR SECTION	
DRAWN	J.P.KAUSHIK	DATE 15-05-2017
CHECKED		
APPROVED	B.MATARAJA	18-05-2017
SCALE	1:1	
AREA	mm <sup>2</sup>	1469.125
PERIMETER	mm.	549.729
WEIGHT	kg/m	3.967
DRAWING No.	SECTION No.	
P-17128	-	
S5402	S5402	
19666	19666	