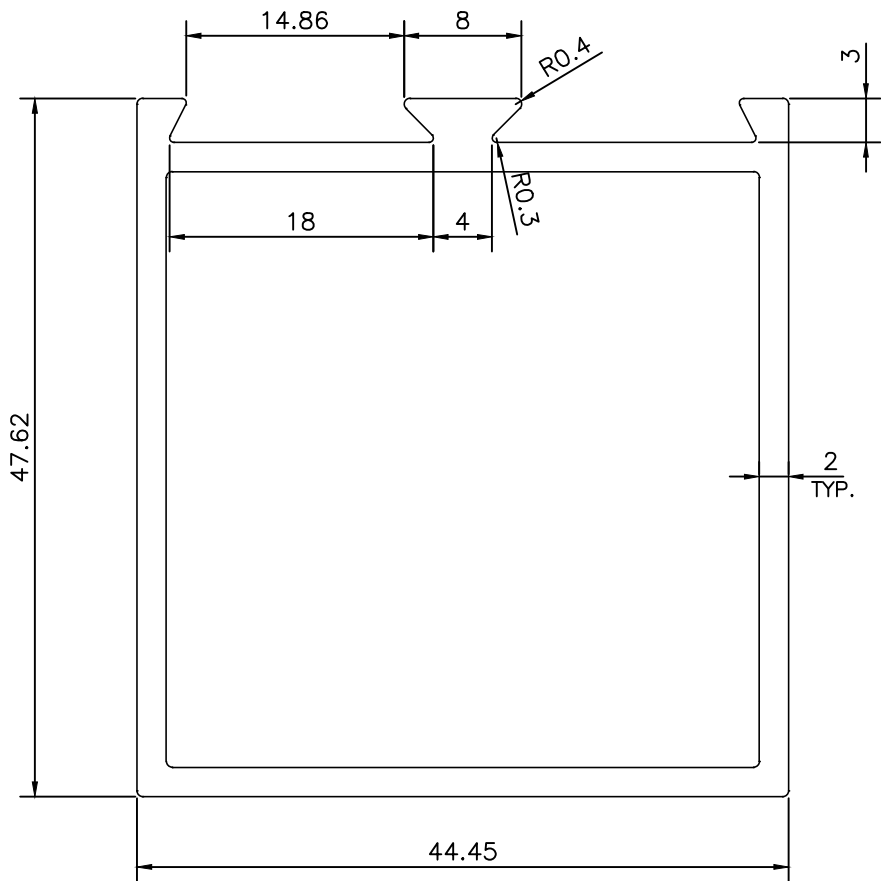
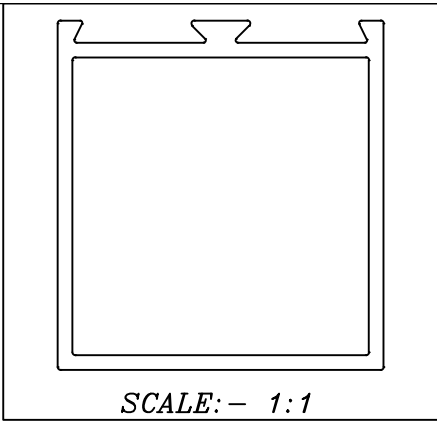



IAL-D-0476  
19687



 SYMBOL OF QUALITY AN ISO 9001 COMPANY	<b>JINDAL ALUMINIUM LTD.</b> BANGALORE-560073 (INDIA)	DRAWN	NAME	DATE
		CHECKED	PARVESH	31-12-2021
1. ALL DIMENSIONS ARE IN mm. 2. ROUND OFF ALL SHARP CORNERS WITH 0.40 mm. 3. TOLERANCES WILL BE AS PER IS:6477-1983 , UNLESS OTHERWISE SPECIFIED		APPROVED		
		SCALE		2:1
PARTY'S NAME -		AREA mm <sup>2</sup>		375.299
		PERIMETER mm.		202.741
PARTY'S DRAWING No. AS PER DRAWING		WEIGHT kg/m		1.012
		DRAWING No.		SECTION No.
ALLOY & TEMPER 6063 T6		IAL-D-0476		-
		19687		19687
DESCRIPTION DOOR SECTION				