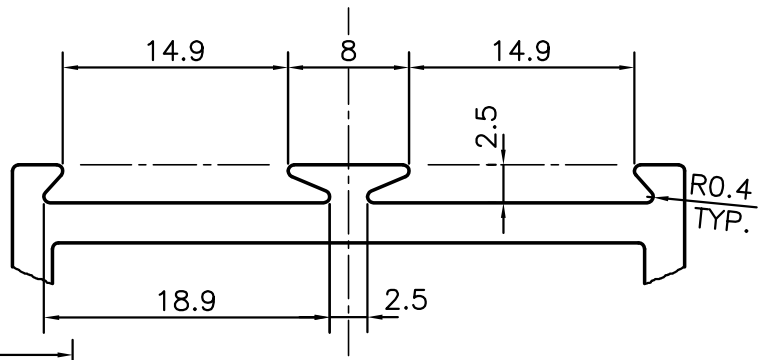
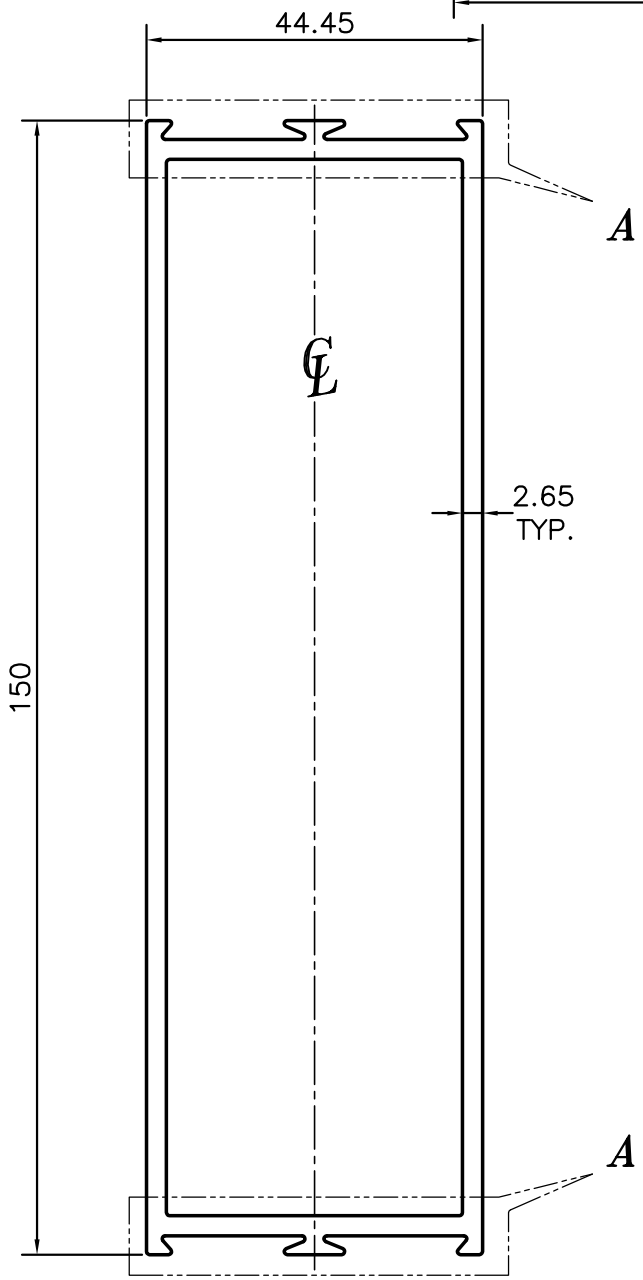


4600
11116
20002



DETAIL OF 'A'
SCALE 2:1



JINDAL ALUMINIUM LTD.
BANGALORE-560073 (INDIA)

	NAME	DATE
DRAWN	PARVESH	16-04-2012
CHECKED		
APPROVED	S.S.GARG	16-04-2012
SCALE		1:1
AREA mm ²		1029.245
PERIMETER mm.		430.049
WEIGHT kg/m		2.779
DRAWING No.	SECTION No.	
4600	-	
11116	11116	
20002	20002	

1. ALL DIMENSIONS ARE IN mm. 2. ROUND OFF ALL SHARP CORNERS WITH 0.40 mm. 3. TOLERANCES WILL BE AS PER IS:6477-1983, UNLESS OTHERWISE SPECIFIED	
PARTY'S NAME	GENERAL CATEGORY, MUMBAI MARKET
PARTY'S DRAWING No.	AS PER 19568
ALLOY & TEMPER	HE9 WP
DESCRIPTION	DOOR SECTION-MIDDLE