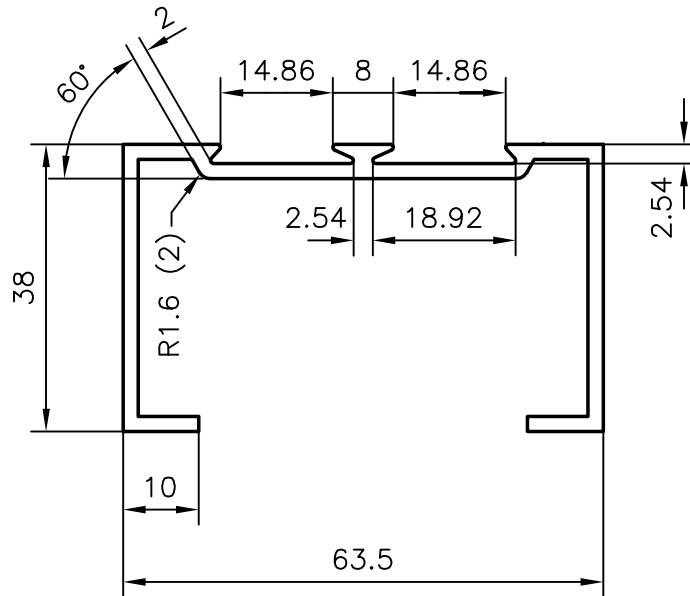


4618

20012



GENERAL WALL THICKNESS:- 2mm.

JINDAL ALUMINIUM LTD.
BANGALORE-560073 (INDIA)

1. ALL DIMENSIONS ARE IN mm.
2. ROUND OFF ALL SHARP CORNERS WITH 0.40 mm.
3. TOLERANCES WILL BE AS PER IS:3965-1981 UNLESS OTHERWISE SPECIFIED

DRAWN

NAME

DATE

R.D.Sharma 29-5-95

CHECKED

PARTY'S NAME

-

APPROVED

PARTY'S DRG. NO.

-

SCALE

1:1

ALLOY & TEMPER

HE9 WP

WEIGHT kg/m

0.886

LENGTH

3658 mm.

SECTION NO.

20012

DESCRIPTION

PARTITION SECTION

DRAWING NO.

20012