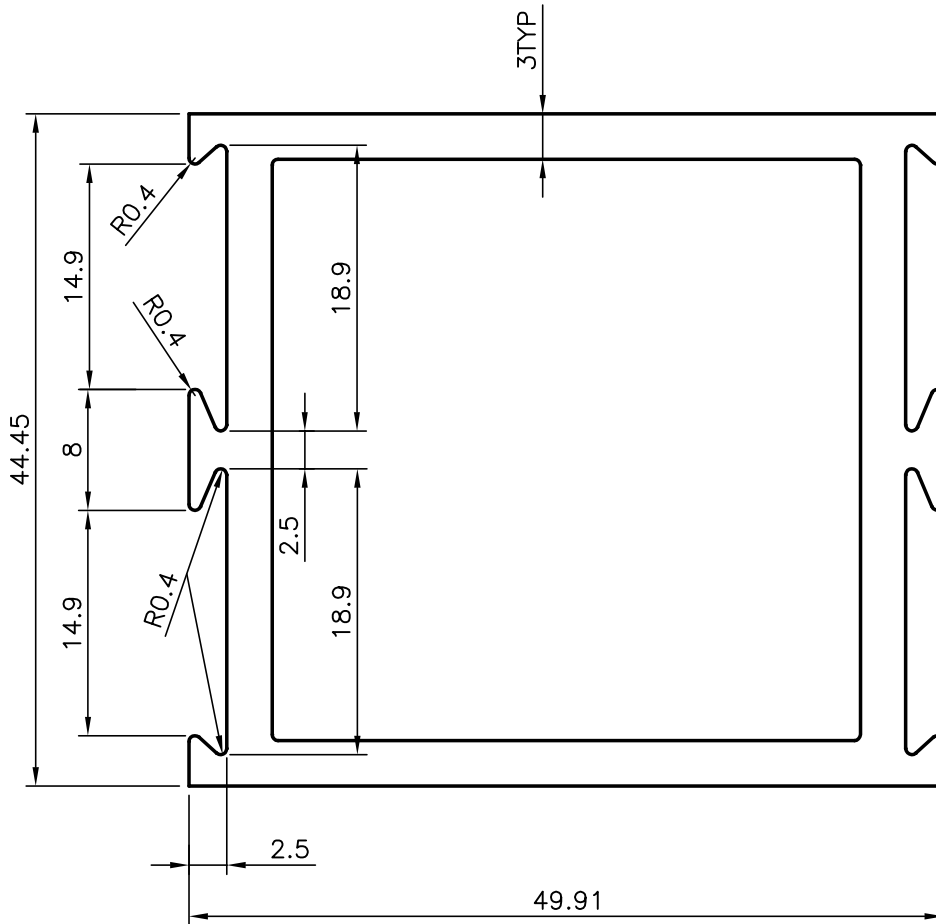
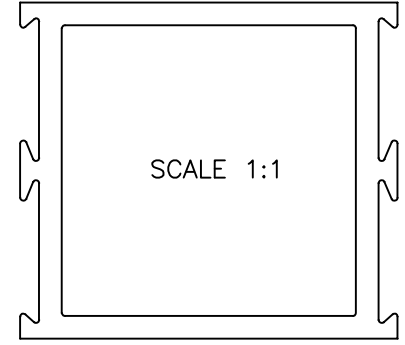


4621

11081

20014



GENERAL WALL THICKNESS = 3.00mm



SYMBOL OF QUALITY
AN ISO 9001 COMPANY

JINDAL ALUMINIUM LTD.
BANGALORE-560073 (INDIA)

	NAME	DATE
DRAWN	RAGHAVENDRA	02-02-2005
CHECKED		
APPROVED		
SCALE		2:1
AREA mm ²		553.547
PERIMETER mm.		230.556
WEIGHT kg/m		1.495
DRAWING No.	SECTION No.	
4621	-	
11081	11081	
20014	20014	

1. ALL DIMENSIONS ARE IN mm.
2. ROUND OFF ALL SHARP CORNERS WITH 0.40 mm.
3. TOLERANCES WILL BE AS PER IS:6477-1983 UNLESS OTHERWISE SPECIFIED

PARTY'S NAME	-
PARTY'S DRAWING No.	-
ALLOY & TEMPER	HE9 WP
DESCRIPTION	PARTITION SECTION