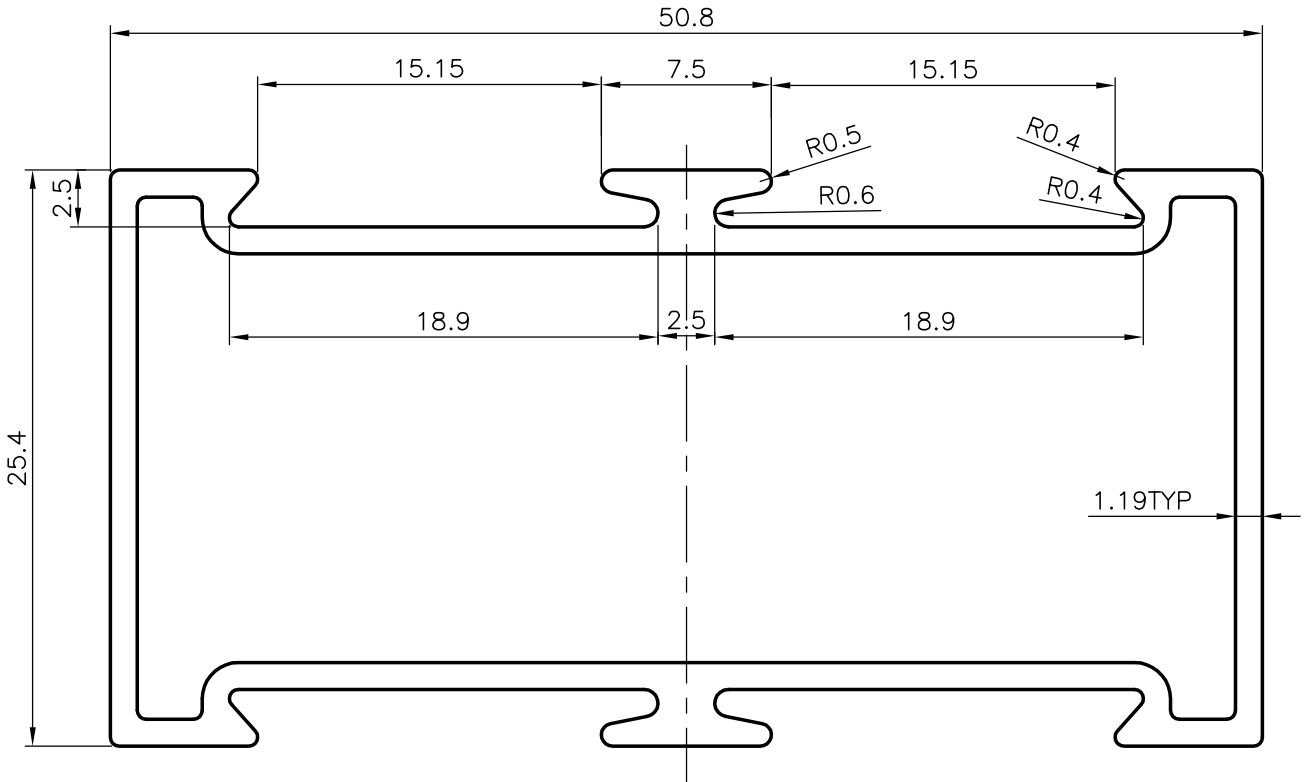
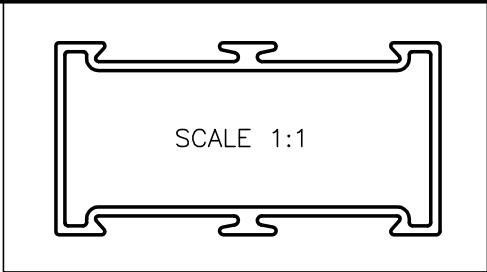



4658
11012
20031



1. GENERAL WALL THICKNESS :- 1.19mm.
2. 3658 mm. LONG PIECES IN 100 kgs :- 47 (AVERAGE)

 SYMBOL OF QUALITY AN ISO 9001 COMPANY	JINDAL ALUMINIUM LTD. BANGALORE-560073 (INDIA)	DRAWN	NAME	DATE
		CHECKED	RAGHAVENDRA	19-02-2005
1. ALL DIMENSIONS ARE IN mm. 2. ROUND OFF ALL SHARP CORNERS WITH 0.40 mm. 3. TOLERANCES WILL BE AS PER IS:6477-1983 UNLESS OTHERWISE SPECIFIED		APPROVED		
		SCALE		3:1
PARTY'S NAME -		AREA mm ²		216.052
		PERIMETER mm.		192.287
PARTY'S DRAWING No. -		WEIGHT kg/m		0.581
		DRAWING No.	SECTION No.	
ALLOY & TEMPER HE9 WP		4658		-
		11012		11012
DESCRIPTION PARTITION SECTION		20031		20031