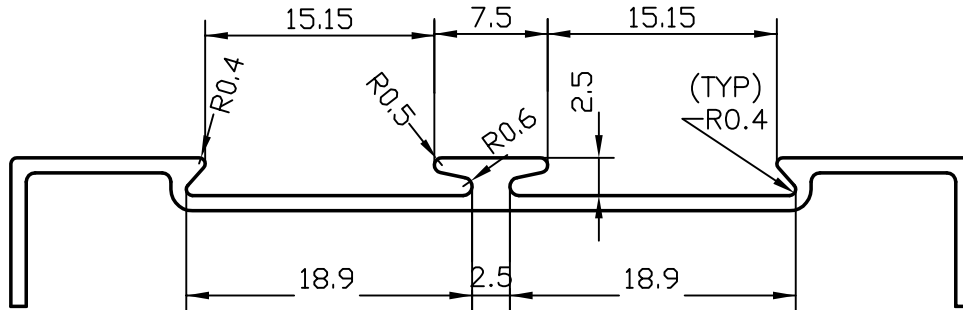


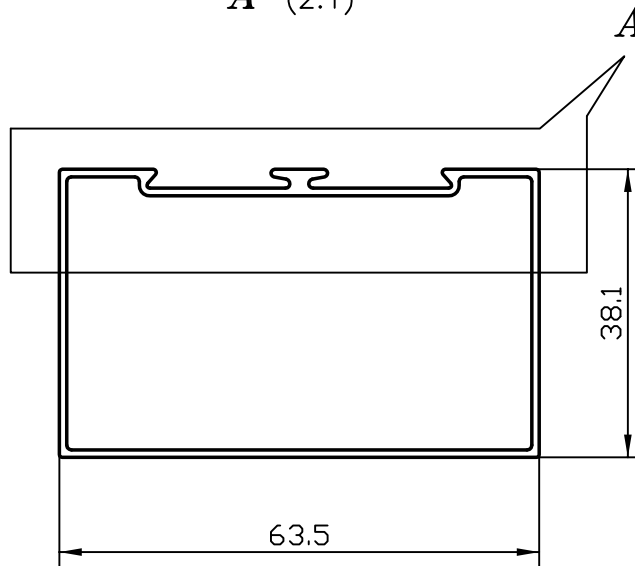
4663

11028

20033



A (2:1)



1. GENERAL WALL THICKNESS :- 1.01 mm.
2. 3658 mm. LONG PIECES IN 100 kgs :- 46 (AVERAGE)



SYMBOL OF QUALITY  
AN ISO 9001 COMPANY

**JINDAL ALUMINIUM LTD.**  
BANGALORE-560073 (INDIA)

	NAME	DATE
DRAWN	D.K Shaw	22-10-03
CHECKED		
APPROVED		

1. ALL DIMENSIONS ARE IN mm.
2. ROUND OFF ALL SHARP CORNERS WITH 0.40 mm.
3. TOLERANCES WILL BE AS PER IS: 6477-1983 UNLESS OTHERWISE SPECIFIED

SCALE	1:1
AREA mm <sup>2</sup>	220.41
PERIMETER mm.	222.68
WEIGHT kg/m	0.595

PARTY'S NAME	GENERAL CATEGORY	DRAWING No.	SECTION No.
PARTY'S DRAWING No.	-	4663	4663
ALLOY & TEMPER	HE9 WP	11028	11028
		20033	20033
DESCRIPTION	PARTITION SECTION		