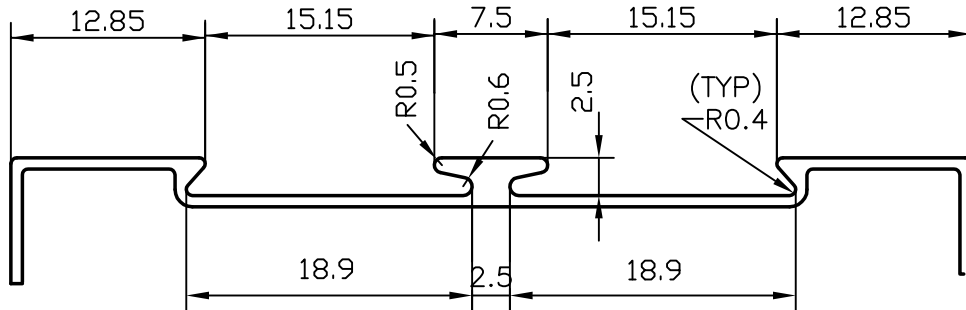


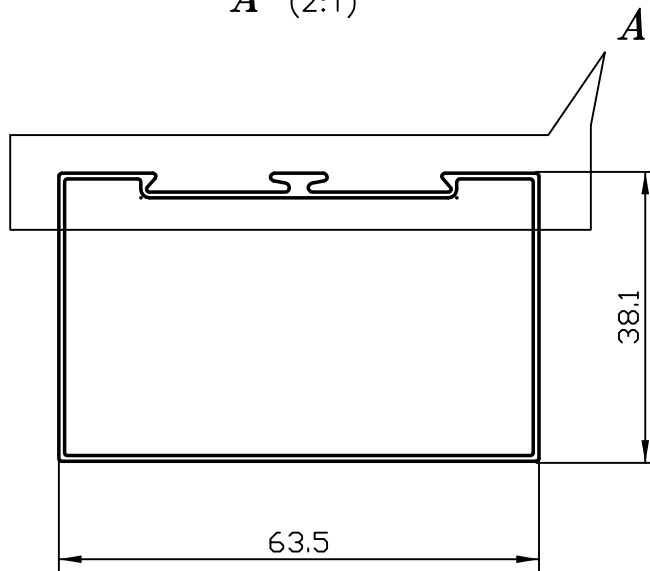
4685

11030

20045



A (2:1)



1. GENERAL WALL THICKNESS :- 0.75 mm.
2. 3658 mm. LONG PIECES IN 100 kgs :- 60 (AVERAGE)



SYMBOL OF QUALITY
AN ISO 9001 COMPANY

JINDAL ALUMINIUM LTD.
BANGALORE-560073 (INDIA)

| | NAME | DATE |
|----------|----------|----------|
| DRAWN | D.K Shaw | 20-10-03 |
| CHECKED | | |
| APPROVED | | |

1. ALL DIMENSIONS ARE IN mm.
2. ROUND OFF ALL SHARP CORNERS WITH 0.40 mm.
3. TOLERANCES WILL BE AS PER IS: 6477-1983 UNLESS OTHERWISE SPECIFIED

| | |
|----------------------|--------|
| SCALE | 1:1 |
| AREA mm ² | 167.2 |
| PERIMETER mm. | 222.66 |
| WEIGHT kg/m | 0.455 |

| PARTY'S NAME | GENERAL CATEGORY | DRAWING No. | SECTION No. |
|---------------------|-------------------|-------------|-------------|
| PARTY'S DRAWING No. | - | 4685 | 4685 |
| ALLOY & TEMPER | HE9 WP | 11030 | 11030 |
| | | 20045 | 20045 |
| DESCRIPTION | PARTITION SECTION | | |