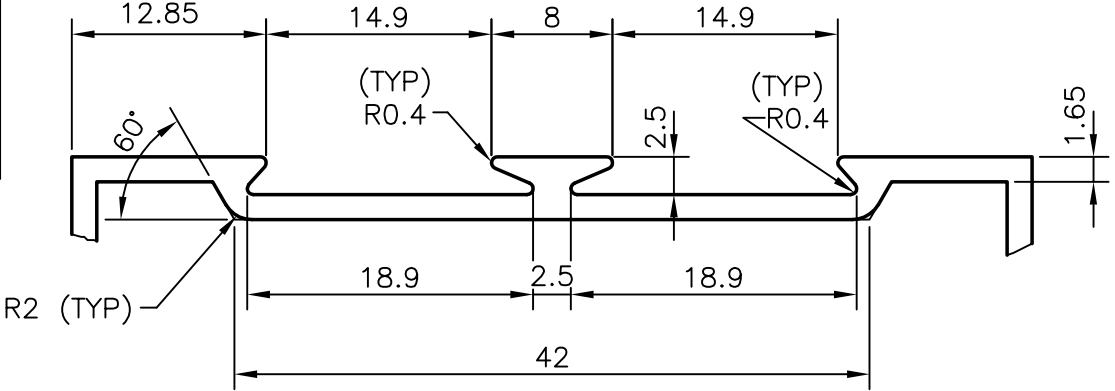
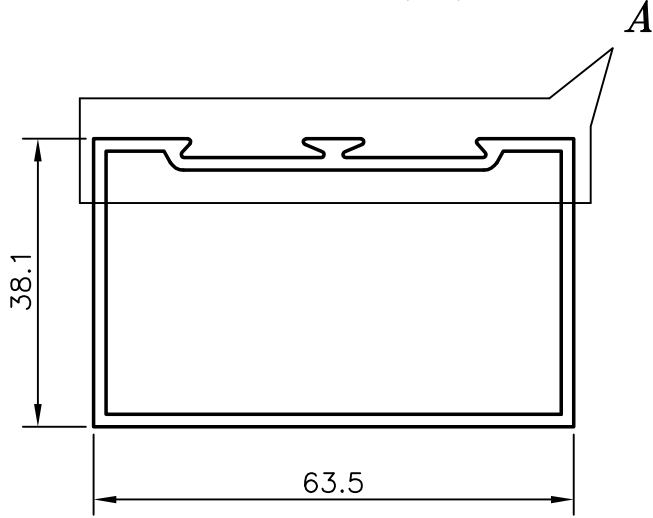


4688
11024
20048



A (2:1)



1. GENERAL WALL THICKNESS :- 1.65 mm.
2. 3658 mm. LONG PIECES IN 100 kgs :- 29 (AVERAGE)

JINDAL ALUMINIUM LTD. BANGALORE-560073		NAME	DATE
		DRAWN R.D.Sharma	14-07-97
1. ALL DIMENSIONS ARE IN mm. 2. ROUND OFF ALL SHARP CORNERS WITH 0.4 mm. 3. TOLERANCES WILL BE AS PER IS: 6477-1983 ,UNLESS OTHERWISE SPECIFIED		CHECKED	
		APPROVED	
		SCALE	1:1 & 2:1
PARTY'S NAME	GENERAL CATEGORY	WEIGHT kg/m	0.942
PARTY'S DRAWING No.	-	SECTION No.	20048
ALLOY & TEMPER	HE9 WP	DRAWING No.	20048
LENGTH	3658 mm.	20048	
DESCRIPTION	PARTITION SECTION		