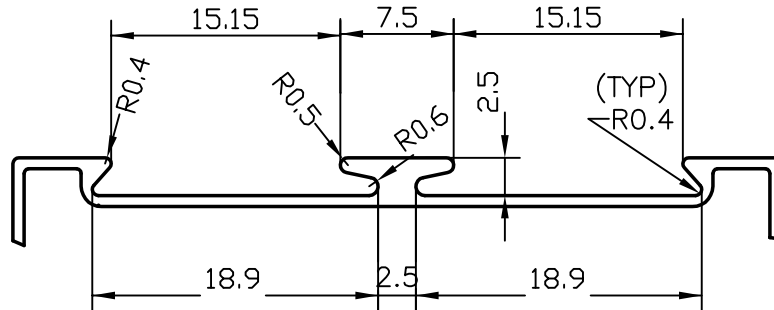


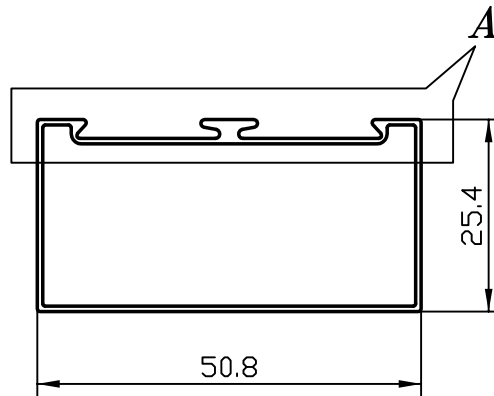
4689

11006

20049



A (2:1)



1. GENERAL WALL THICKNESS :- 0.73 mm.
2. 3658 mm. LONG PIECES IN 100 kgs :- 80 (AVERAGE)



SYMBOL OF QUALITY  
AN ISO 9001 COMPANY

**JINDAL ALUMINIUM LTD.**  
BANGALORE-560073 (INDIA)

	NAME	DATE
DRAWN	D.K Shaw	22-10-03
CHECKED		
APPROVED		
SCALE		1:1
AREA mm <sup>2</sup>		127.2
PERIMETER mm.		171.86
WEIGHT kg/m		0.342
DRAWING No.		SECTION No.
4689		4689
11006		11006
20049		20049

1. ALL DIMENSIONS ARE IN mm.
2. ROUND OFF ALL SHARP CORNERS WITH 0.40 mm.
3. TOLERANCES WILL BE AS PER IS: 6477-1983 UNLESS OTHERWISE SPECIFIED

PARTY'S NAME	GENERAL CATEGORY
PARTY'S DRAWING No.	-
ALLOY & TEMPER	HE9 WP
DESCRIPTION	PARTITION SECTION