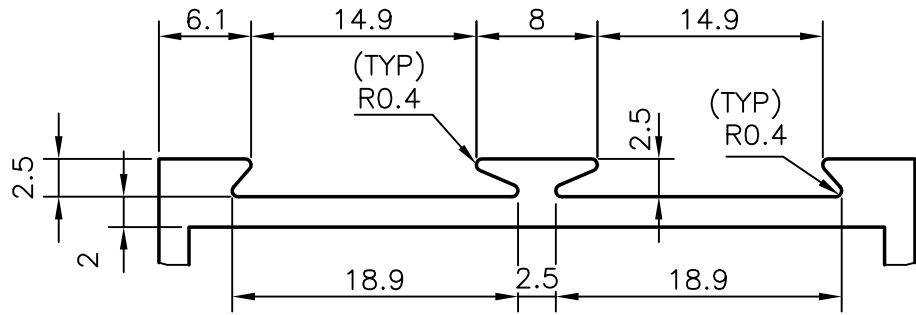
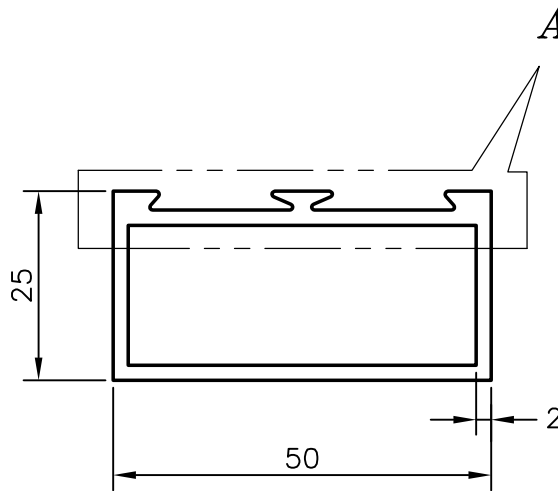


2902
11001
20058



A (2:1)



1. GENERAL WALL THICKNESS :- 2.0 mm.

JINDAL ALUMINIUM LTD. BANGALORE-560073			NAME	DATE
		DRAWN	P,KULKARNI	27-10-98
1. ALL DIMENSIONS ARE IN mm. 2. ROUND OFF ALL SHARP CORNERS WITH 0.4 mm. 3. TOLERANCES WILL BE AS PER IS: 6477-1983 ,UNLESS OTHERWISE SPECIFIED		CHECKED		
		APPROVED		
		SCALE	1:1	
PARTY'S NAME	HTL LTD., CHENNAI	WEIGHT kg/m	0.849	
PARTY'S DRAWING No.	NIL	SECTION No.	20058	
ALLOY & TEMPER	HE9 WP	DRAWING No.	20058	
LENGTH	3200mm.			
DESCRIPTION	PARTITION SECTION			