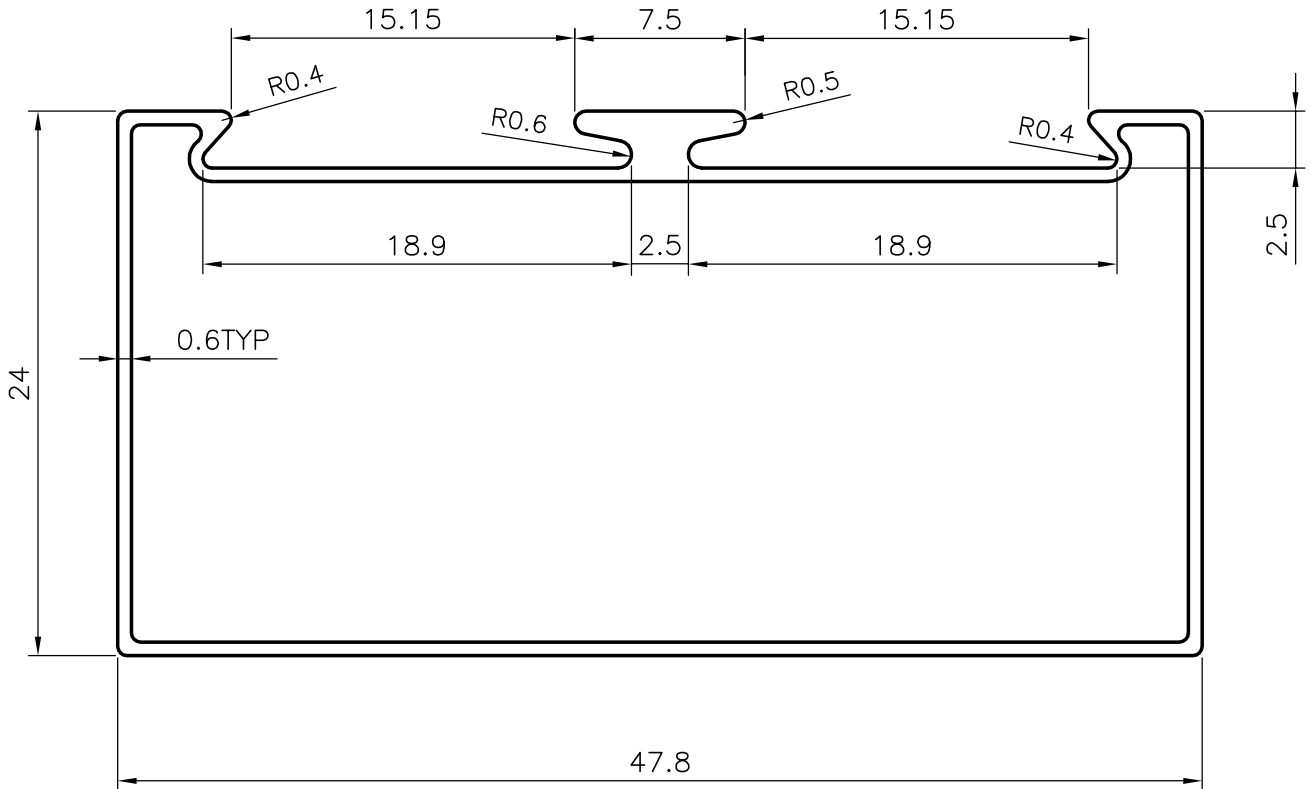
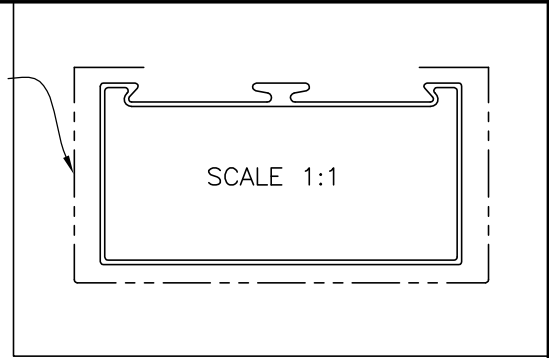



P-4058
2967
20088

EXPOSED SURFACE



GENERAL WALL THICKNESS = 0.60mm

3658 mm, LONG PIECES IN 100 Kgs = 100 (AVERAGE)

 SYMBOL OF QUALITY AN ISO 9002 COMPANY	JINDAL ALUMINIUM LTD. BANGALORE-560073 (INDIA)	NAME		DATE	
		DRAWN		RAGHAVENDRA	20-02-2004
		CHECKED			
APPROVED					
1. ALL DIMENSIONS ARE IN mm. 2. ROUND OFF ALL SHARP CORNERS WITH 0.40 mm. 3. TOLERANCES WILL BE AS PER IS:6477-1983 UNLESS OTHERWISE SPECIFIED		SCALE		3:1	
		AREA mm ²		101.691	
		PERIMETER mm.		163.2	
PARTY'S NAME		GENERAL CATEGORY		COCHIN MARKET	
		WEIGHT kg/m		0.274	
PARTY'S DRAWING No.		DRAWING No.		P-4058	
		SECTION No.		-	
ALLOY & TEMPER		2967		2967-ISSUE-2	
		20088		20088	
DESCRIPTION		PARTITION SECTION (SINGLE GROOVE)			