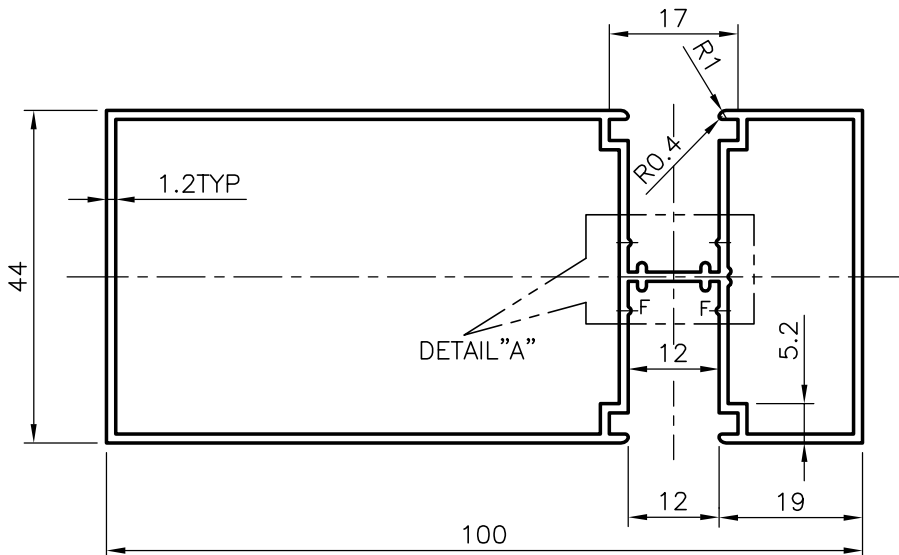
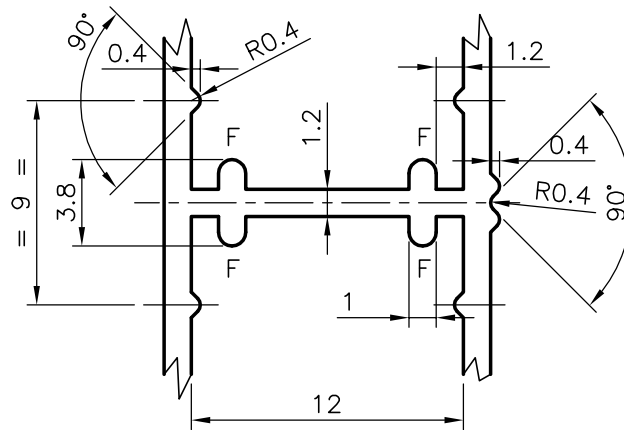


P-4690

15760

20100

DETAIL "A"
SCALE 3:1



GENERAL WALL THICKNESS = 1.20mm
F = FULL RADIUS (4 PLACES)



SYMBOL OF QUALITY
AN ISO 9002 COMPANY

JINDAL ALUMINIUM LTD.
BANGALORE-560073 (INDIA)

	NAME	DATE
DRAWN	RAGHAVENDRA	19-03-2004
CHECKED		
APPROVED		

1. ALL DIMENSIONS ARE IN mm.
2. ROUND OFF ALL SHARP CORNERS WITH 0.40 mm.
3. TOLERANCES WILL BE AS PER UNLESS OTHERWISE SPECIFIED

SCALE	1:1
AREA mm ²	443.74
PERIMETER mm.	400.846
WEIGHT kg/m	1.198

PARTY'S NAME	SYDNEY ALUMINIUM & GLASS DOHA	DRAWING No.	SECTION No.
PARTY'S DRAWING No.	AS PER SAMPLE	P-4690	-
ALLOY & TEMPER	6063 T6	15760	15760
DESCRIPTION	PARTITION SECTION	20100	20100