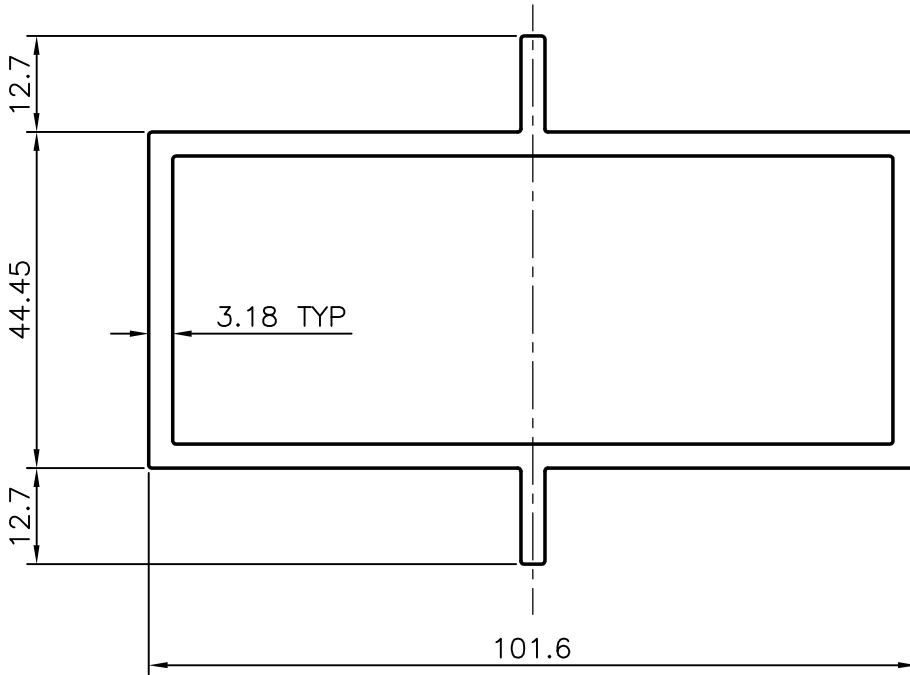



| |
|-------|
| 11098 |
| 20101 |
| |



GENERAL WALL THICKNESS = 3.18 mm

| | | | | |
|---|--|----------------------|-------------|------------|
|  SYMBOL OF QUALITY AN ISO 9001 COMPANY | JINDAL ALUMINIUM LTD. BANGALORE-560073 (INDIA) | NAME | | DATE |
| | | DRAWN | MALINGAPPA | 03-11-2003 |
| 1. ALL DIMENSIONS ARE IN mm. 2. ROUND OFF ALL SHARP CORNERS WITH 0.40 mm. 3. TOLERANCES WILL BE AS PER IS: 6477-1983 UNLESS OTHERWISE SPECIFIED | | CHECKED | | |
| | | APPROVED | | |
| PARTY'S NAME | | SCALE | | 1:1 |
| | | AREA mm ² | | 969.2 |
| PARTY'S DRAWING No. | | PERIMETER mm. | | 342.9 |
| | | WEIGHT kg/m | | 2.617 |
| ALLOY & TEMPER | | DRAWING No. | SECTION No. | |
| | | 11098 | 11098 | |
| DESCRIPTION | | 20101 | 20101 | |
| | | | | |
| HE9 WP | | | | |
| PARTITION SECTION | | | | |