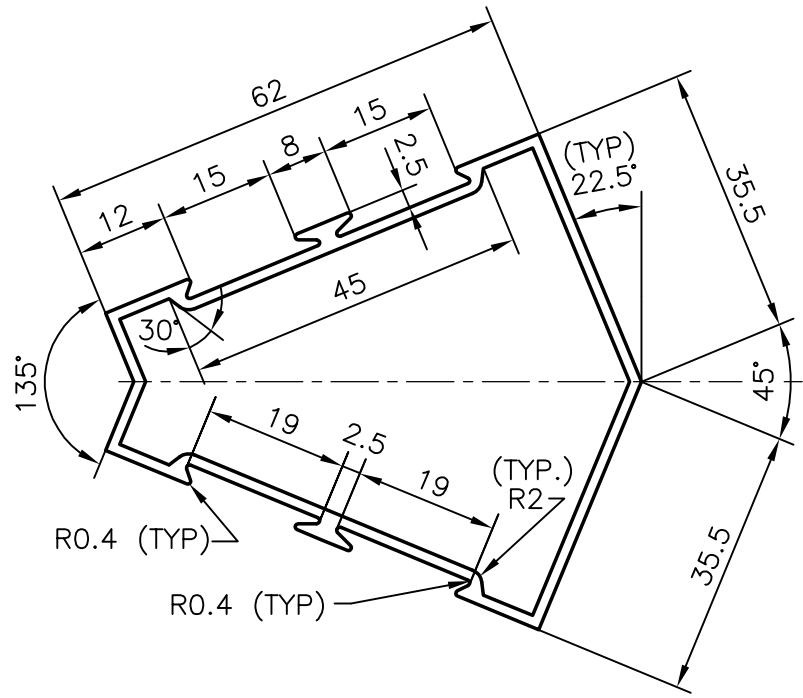


4681  
11135  
20103

GENERAL	EXCLUSIVE	PARTLY EXCLUSIVE
---------	-----------	------------------



WEIGHT OF 3658 mm. LONG PIECE :- 3.460 kgs. (AVERAGE)  
GENERAL WALL THICKNESS :- 1.45 mm.

<b>JINDAL ALUMINIUM LTD.</b> <b>BANGALORE-560073</b>		NAME	DATE
		DRAWN	R.D.Sharma 01-07-97
1. ALL DIMENSIONS ARE IN mm. 2. ROUND OFF ALL SHARP CORNERS WITH 0.4 mm. 3. TOLERANCES WILL BE AS PER IS: 6477-1983 ,UNLESS OTHERWISE SPECIFIED		CHECKED	
		APPROVED	
		SCALE	1:1
PARTY'S NAME	GENERAL CATEGORY	WEIGHT kg/m	0.944
PARTY'S DRAWING No.	AS PER SAMPLE	SECTION No.	20103
ALLOY & TEMPER	HE9 WP	DRAWING No.	20103
LENGTH	3658 mm.		
DESCRIPTION	PARTITION SECTION-CORNER		