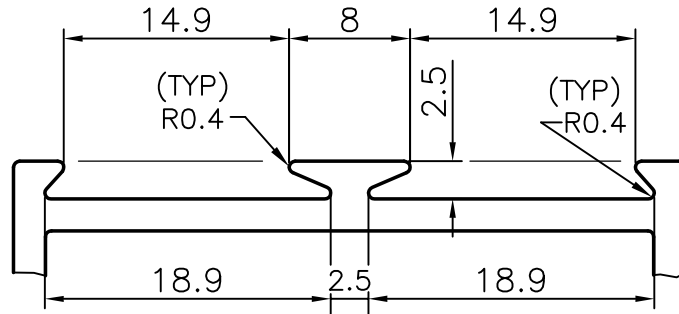
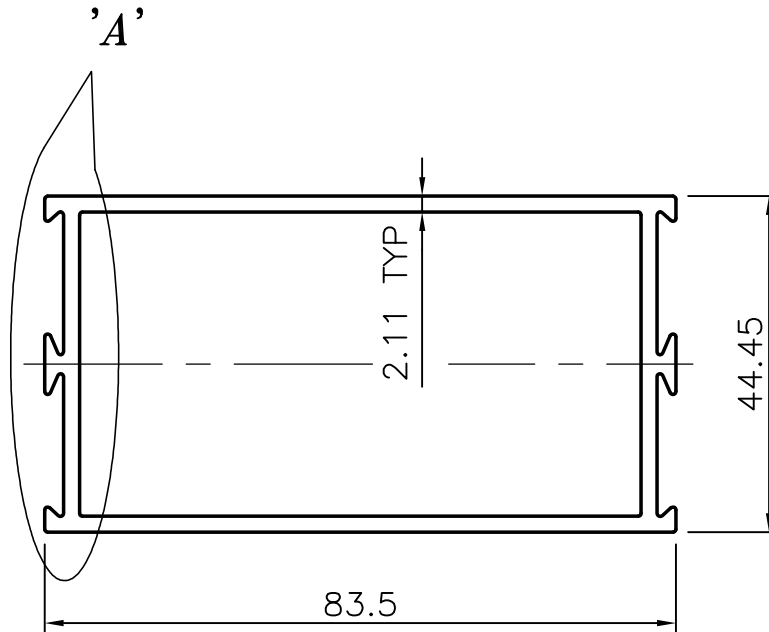


P-5410

20111



***DETAIL A***



SYMBOL OF QUALITY  
AN ISO 9001 COMPANY

***JINDAL ALUMINIUM LTD.***  
***BANGALORE-560073 (INDIA)***

	NAME	DATE
DRAWN	MALINGAPPA	02.04.2005
CHECKED		
APPROVED		

1. ALL DIMENSIONS ARE IN mm.
2. ROUND OFF ALL SHARP CORNERS WITH 0.40 mm.
3. TOLERANCES WILL BE AS PER IS: 6477-1983 UNLESS OTHERWISE SPECIFIED

SCALE	1:1, 2:1
AREA mm <sup>2</sup>	554.291
PERIMETER mm.	297.048
WEIGHT kg/m	1.497

PARTY'S NAME	GENERAL CATEGORY, DELHI MARKET
PARTY'S DRAWING No.	AS PER SAMPLE
ALLOY & TEMPER	HE9 WP
DESCRIPTION	PARTITION SECTION

DRAWING No.	SECTION No.
P-5410	-
20111	20111