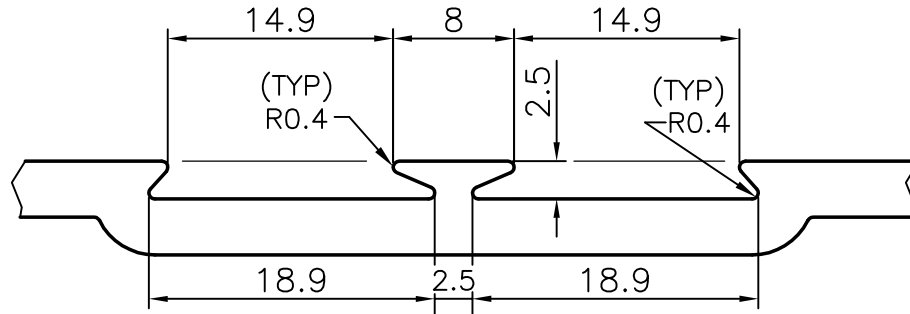
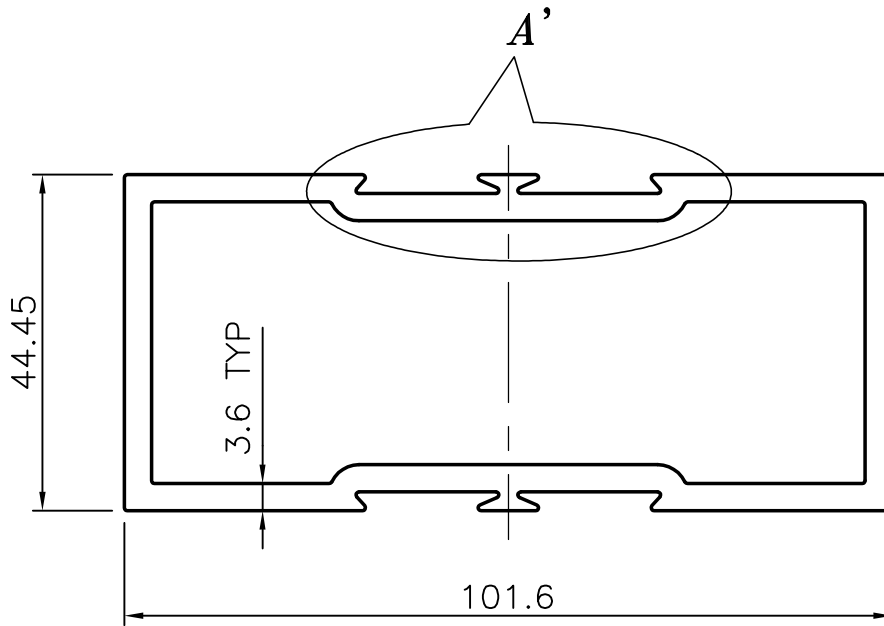



P-5412

20113



DETAIL A



 SYMBOL OF QUALITY AN ISO 9001 COMPANY	JINDAL ALUMINIUM LTD. BANGALORE-560073 (INDIA)		NAME	DATE
		DRAWN	MALINGAPPA	02.04.2005
1. ALL DIMENSIONS ARE IN mm. 2. ROUND OFF ALL SHARP CORNERS WITH 0.40 mm. 3. TOLERANCES WILL BE AS PER IS: 6477-1983 UNLESS OTHERWISE SPECIFIED		CHECKED		
		APPROVED		
PARTY'S NAME GENERAL CATEGORY, DELHI MARKET		SCALE		1:1, 2:1
		AREA mm ²		1055.106
PARTY'S DRAWING No. AS PER SAMPLE		PERIMETER mm.		333.248
		WEIGHT kg/m		2.849
ALLOY & TEMPER HE9 WP		DRAWING No.		SECTION No.
		P-5412		-
DESCRIPTION PARTITION SECTION		20113		20113