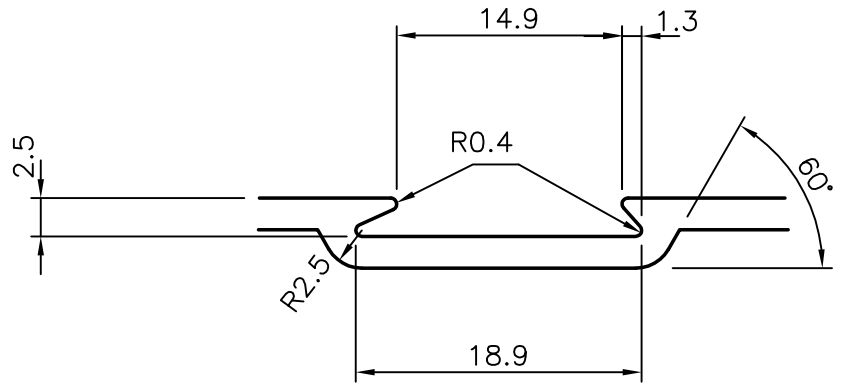
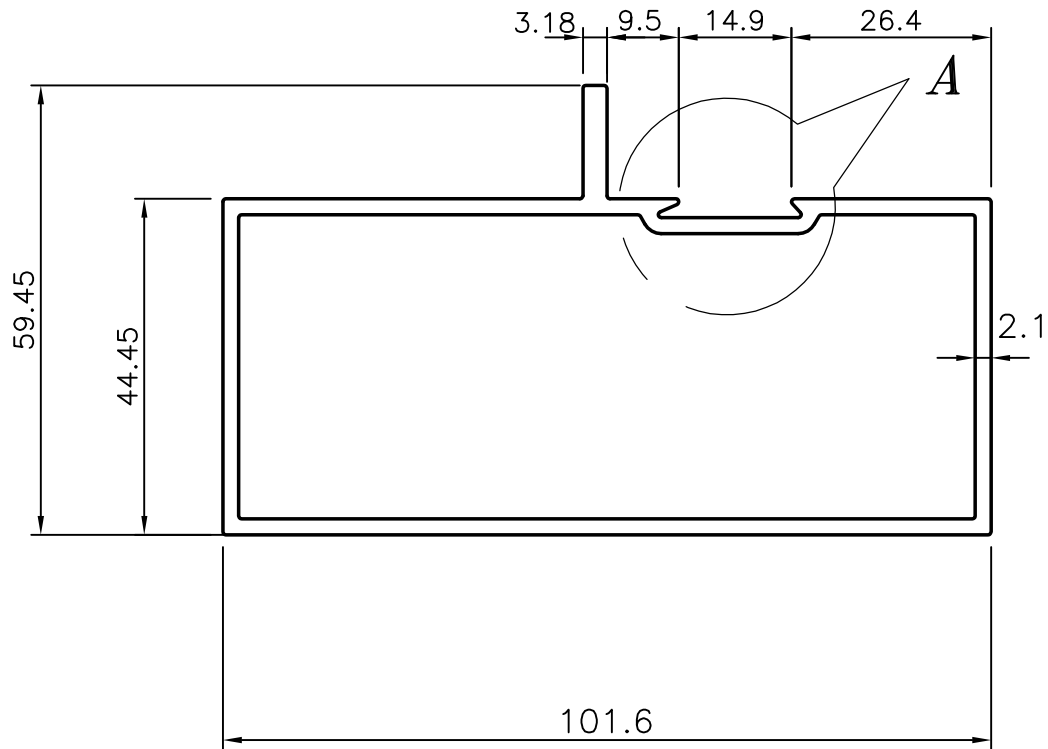



P-5883
S1603
20122



DETAIL AT "A"



GENERAL WALL THICKNESS = 2.1 mm

 SYMBOL OF QUALITY AN ISO 9001 COMPANY	JINDAL ALUMINIUM LTD. BANGALORE-560073 (INDIA)	NAME		DATE	
		DRAWN		J.P.KAUSHIK	21-09-2005
		CHECKED			
APPROVED					
1. ALL DIMENSIONS ARE IN mm. 2. ROUND OFF ALL SHARP CORNERS WITH 0.40 mm. 3. TOLERANCES WILL BE AS PER IS:3965-1981 UNLESS OTHERWISE SPECIFIED		SCALE		1:1	
		AREA mm ²		656.954	
		PERIMETER mm.		331.219	
PARTY'S NAME		P.L.RAJU CONSTRUCTION LIMITED., HYDERABAD		WEIGHT kg/m	1.774
PARTY'S DRAWING No.		AS PER SPECIFICATION		DRAWING No.	P-5883
ALLOY & TEMPER		HE9 WP		SECTION No.	-
DESCRIPTION		PARTITION SECTION			S1603
					20122
					20122