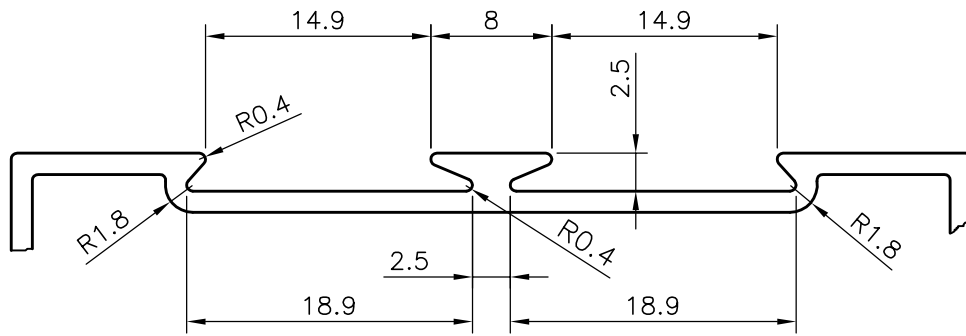
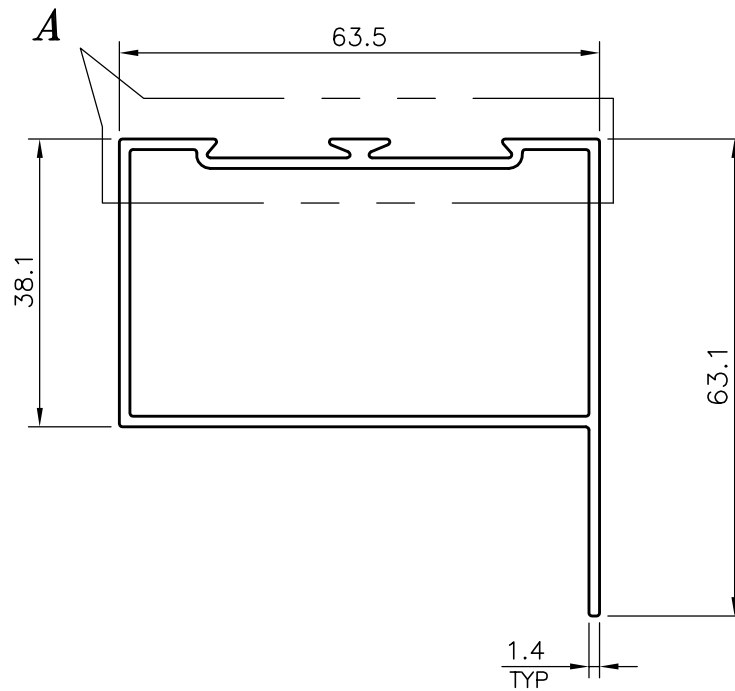


P-13643

20142



**DETAIL "A"**  
(2:1)



SYMBOL OF QUALITY  
AN ISO 9001 COMPANY

**JINDAL ALUMINIUM LTD.**  
BANGALORE-560073 (INDIA)

	NAME	DATE
DRAWN	J.P.KAUSHIK	13-06-2014
CHECKED		
APPROVED	S.S.GARG	17-06-2014
SCALE		1:1
AREA mm <sup>2</sup>		333.547
PERIMETER mm.		273.088
WEIGHT kg/m		0.901
DRAWING No.	SECTION No.	
P-13643	-	
20142	20142	

1. ALL DIMENSIONS ARE IN mm.
2. ROUND OFF ALL SHARP CORNERS WITH 0.40 mm.
3. TOLERANCES WILL BE AS PER,IS:6477-1983 UNLESS OTHERWISE SPECIFIED

PARTY'S NAME	GENERAL CATEGORY, BANGALORE MARKET
PARTY'S DRAWING No.	AS PER DRAWING
ALLOY & TEMPER	HE9 WP
DESCRIPTION	WINDOW SECTION