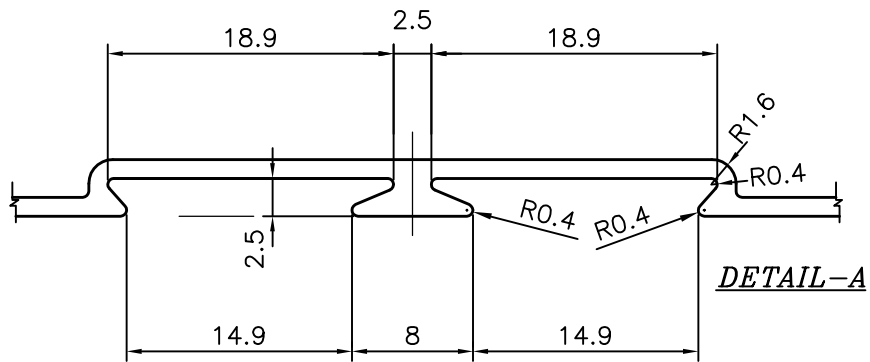
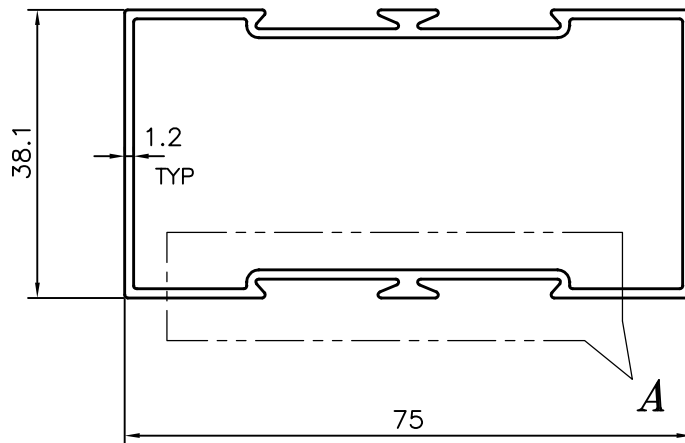


P-13935-1

20143



SYMBOL OF QUALITY  
AN ISO 9002 COMPANY

**JINDAL ALUMINIUM LTD.**  
BANGALORE-560073 (INDIA)

	NAME	DATE
DRAWN	J.P.KAUSHIK	13-09-2014
CHECKED		
APPROVED	S.S.GARG	19-09-2014
SCALE		1:1
AREA mm <sup>2</sup>		308.12
PERIMETER mm.		267.349
WEIGHT kg/m		0.832
DRAWING No.	SECTION No.	
P-13935-1	-	
20143	20143	

1. ALL DIMENSIONS ARE IN mm.
2. ROUND OFF ALL SHARP CORNERS WITH 0.40 mm.
3. TOLERANCES WILL BE AS PER IS:6477-1983 UNLESS OTHERWISE SPECIFIED

PARTY'S NAME	GENERAL CATEGORY, MUMBAI MARKET
PARTY'S DRAWING No.	AS PER DRAWING & REQUIREMENT
ALLOY & TEMPER	HE9 WP
DESCRIPTION	PARTITION SECTION