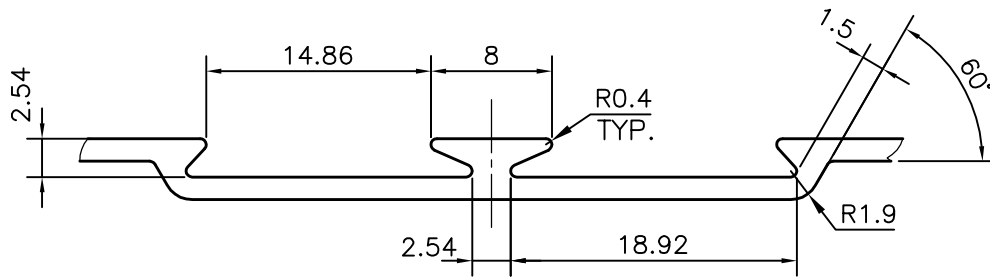


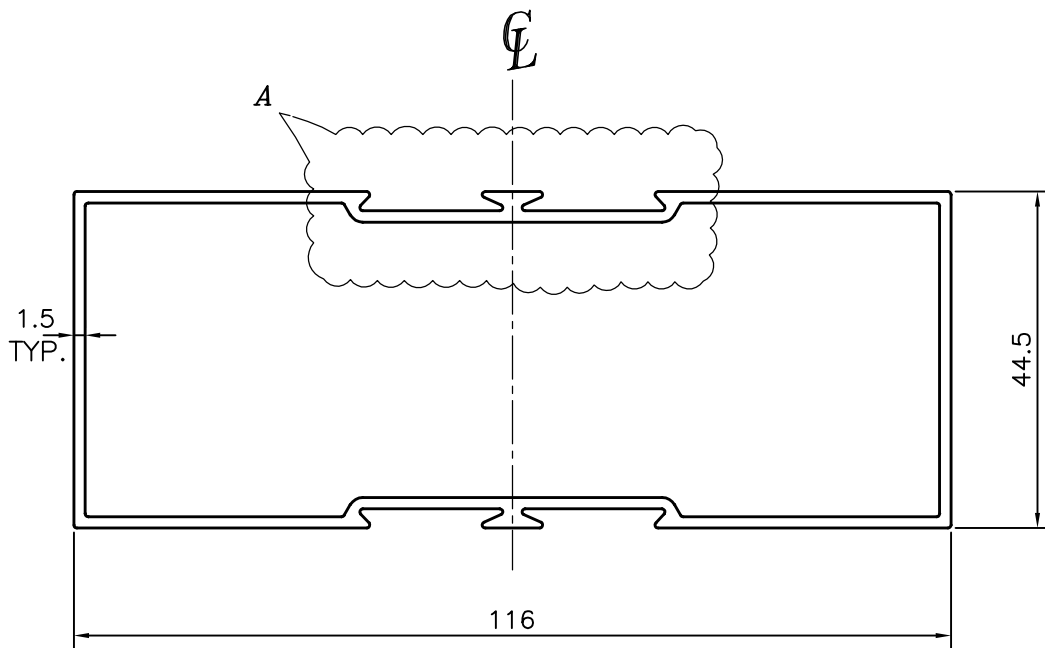
P-11984

S3453

20145



DETAIL OF "A"  
SCALE :- 2:1



SYMBOL OF QUALITY  
AN ISO 9001 COMPANY

**JINDAL ALUMINIUM LTD.**  
BANGALORE-560073 (INDIA)

	NAME	DATE
DRAWN	PARVESH	17-08-2012
CHECKED		
APPROVED	S.S.CARG	22-08-2012

1. ALL DIMENSIONS ARE IN mm.
2. ROUND OFF ALL SHARP CORNERS WITH 0.40 mm.
3. TOLERANCES WILL BE AS PER BS:EN-755-9, UNLESS OTHERWISE SPECIFIED

SCALE	1:1
AREA mm <sup>2</sup>	519.817
PERIMETER mm.	362.714
WEIGHT kg/m	1.404

PARTY'S NAME ALUMINIUM UDYOG, LUCKNOW

DRAWING No. SECTION No.

PARTY'S DRAWING No. MODIFIED SECTION OF 20028

P-11984 -

ALLOY & TEMPER HE9 WP

S3453 S3453  
20145 20145

DESCRIPTION PARTITION SECTION