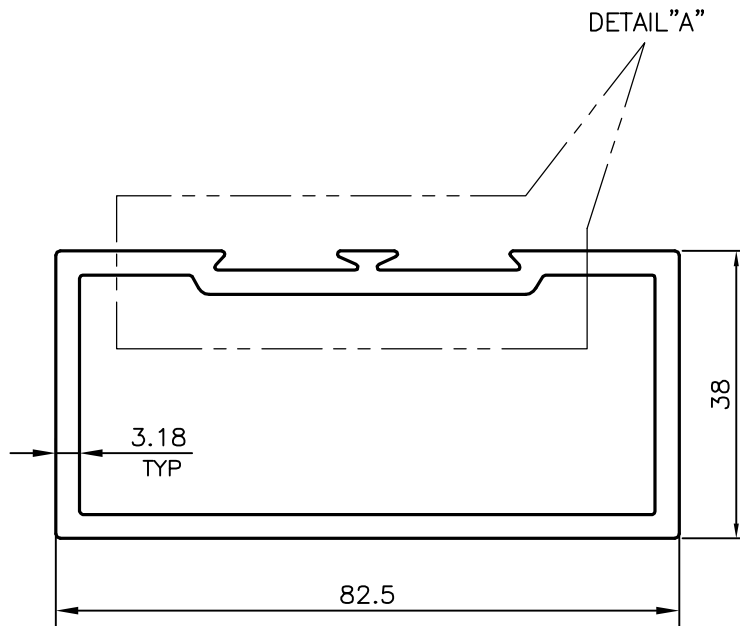
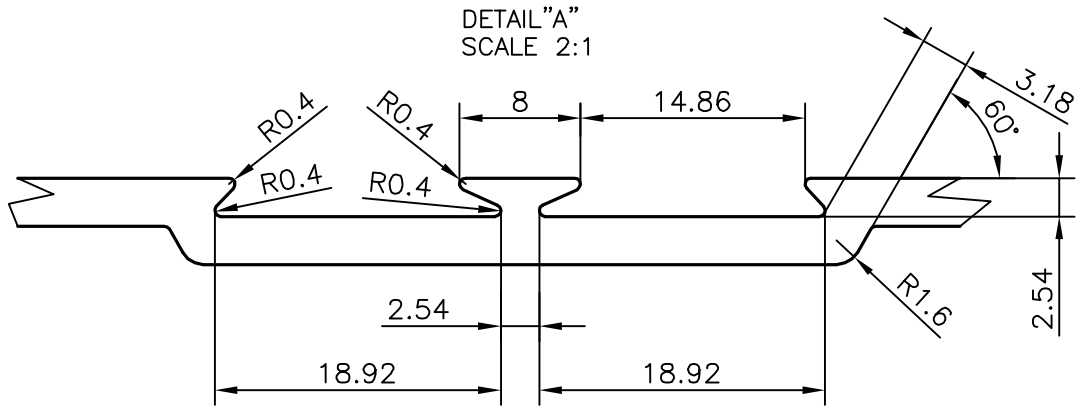


P-14919

S4566

20159



WEIGHT RANGE $\pm 10\%$ kg/m



SYMBOL OF QUALITY
AN ISO 9001 COMPANY

JINDAL ALUMINIUM LTD.
BANGALORE-560073 (INDIA)

| | NAME | DATE |
|----------------------|-------------|------------|
| DRAWN | J.P.KAUSHIK | 24-07-2015 |
| CHECKED | | |
| APPROVED | S.S.GARG | 12-08-2015 |
| SCALE | | 1:1 |
| AREA mm ² | | 754.457 |
| PERIMETER mm. | | 261.17 |
| WEIGHT kg/m | | 2.037 |
| DRAWING No. | SECTION No. | |
| P-14919 | - | |
| S4566 | S4566 | |
| 20159 | 20159 | |
| | | |
| | | |

1. ALL DIMENSIONS ARE IN mm.
2. ROUND OFF ALL SHARP CORNERS WITH 0.40 mm.
3. TOLERANCES WILL BE AS PER IS:6477-1983 UNLESS OTHERWISE SPECIFIED

| | |
|---------------------|--------------------------------------|
| PARTY'S NAME | SAM INDIA BUILTWELL PVT. LTD., DELHI |
| PARTY'S DRAWING No. | AS PER SKETCH |
| ALLOY & TEMPER | HE9 WP |
| DESCRIPTION | PARTITION SECTION-SINGLE |