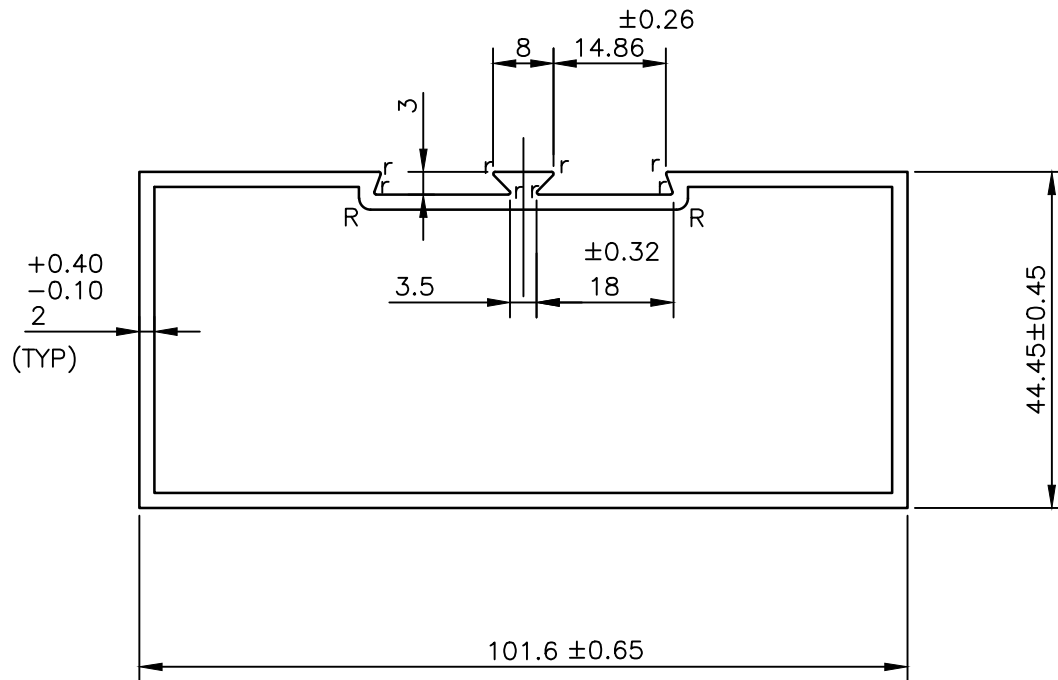


IAL-D-439

20162



NOTE:-

$$R = 1.5R$$

$$r = 0.25R$$



SYMBOL OF QUALITY  
AN ISO 9001 COMPANY

**JINDAL ALUMINIUM LTD.**  
BANGALORE-560073 (INDIA)

	NAME	DATE
DRAWN	S.K.SHARMA	28-12-2021
CHECKED		
APPROVED		

1. ALL DIMENSIONS ARE IN mm.
2. ROUND OFF ALL SHARP CORNERS WITH 0.40 mm.
3. TOLERANCES WILL BE AS PER BS:EN-755-9 , UNLESS OTHERWISE SPECIFIED

SCALE	1:1
AREA mm <sup>2</sup>	601.0
PERIMETER mm.	280.64
WEIGHT kg/m	1.623

PARTY'S NAME	MARKET	DRAWING No.	SECTION No.
PARTY'S DRAWING No.	AS PER DRAWING	IAL-D-439	-
ALLOY & TEMPER	6063-T6	20162	20162
DESCRIPTION	PARTITION SECTION		